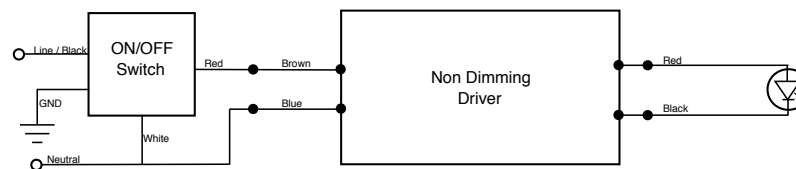


ZANIBONI® LIGHTING

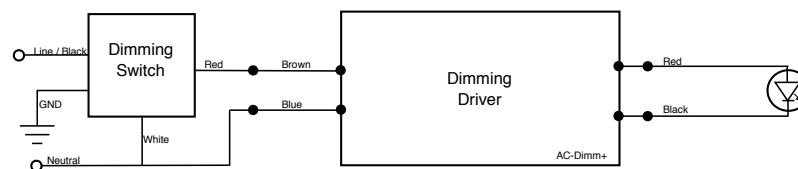
WIRING DIAGRAM FOR NON DIMMABLE DRIVER Option N: Non-Dimmable



DRIVER AND SWITCH ILLUSTRATED IS FOR EXAMPLE PURPOSES ONLY - MANUFACTURERS VARY DEPENDING ON TECHNICAL REQUIREMENTS OF THE LIGHT

ZANIBONI® LIGHTING

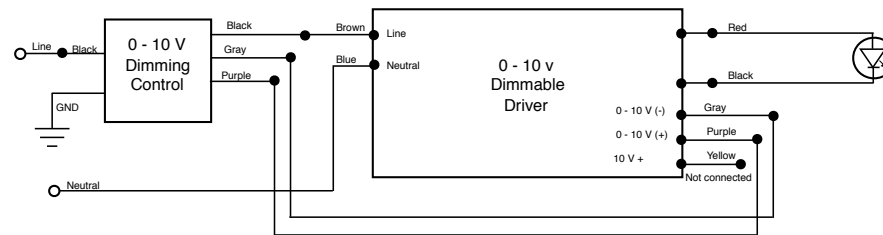
WIRING DIAGRAM FOR DIMMABLE DRIVER WITH
DIMMING TRIAC, ELV AND 2 WIRES ON/OFF SWITCHES
Option E: ELV Dimmable on the product spec sheet



DRIVER AND SWITCH ILLUSTRATED IS FOR EXAMPLE PURPOSES ONLY - MANUFACTURERS VARY DEPENDING ON TECHNICAL REQUIREMENTS OF THE LIGHT

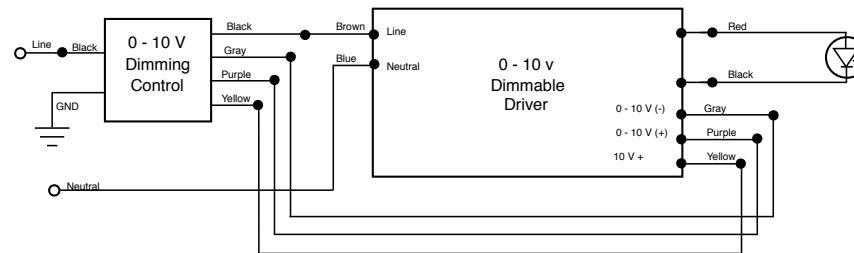
ZANIBONI® LIGHTING

WIRING DIAGRAM FOR 0 - 10 V DIMMING DRIVER Option Z: 0-10V Dimmable on the product spec sheet



ZANIBONI® LIGHTING

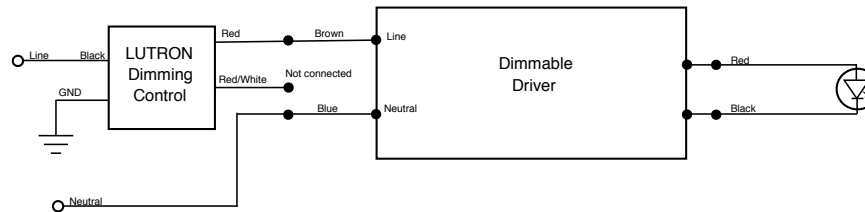
WIRING DIAGRAM FOR 0 - 10 V DIMMING DRIVER Option Z: 0-10V Dimmable on the product spec sheet



ZANIBONI[®]

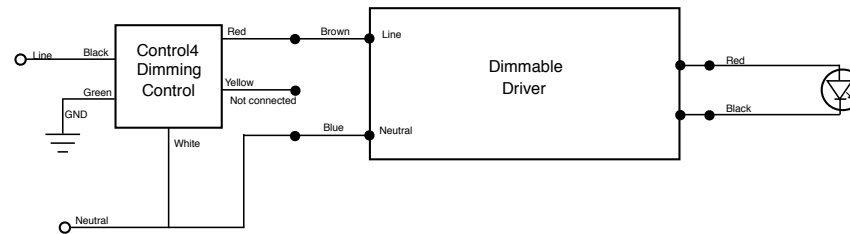
LIGHTING

EXAMPLE APPLICATION
WIRING DIAGRAM FOR LUTRON DIMMING DRIVER
WITH TWO WIRES ZANIBONI DIMMING DRIVER
Option E: ELV Dimmable on the product spec sheet



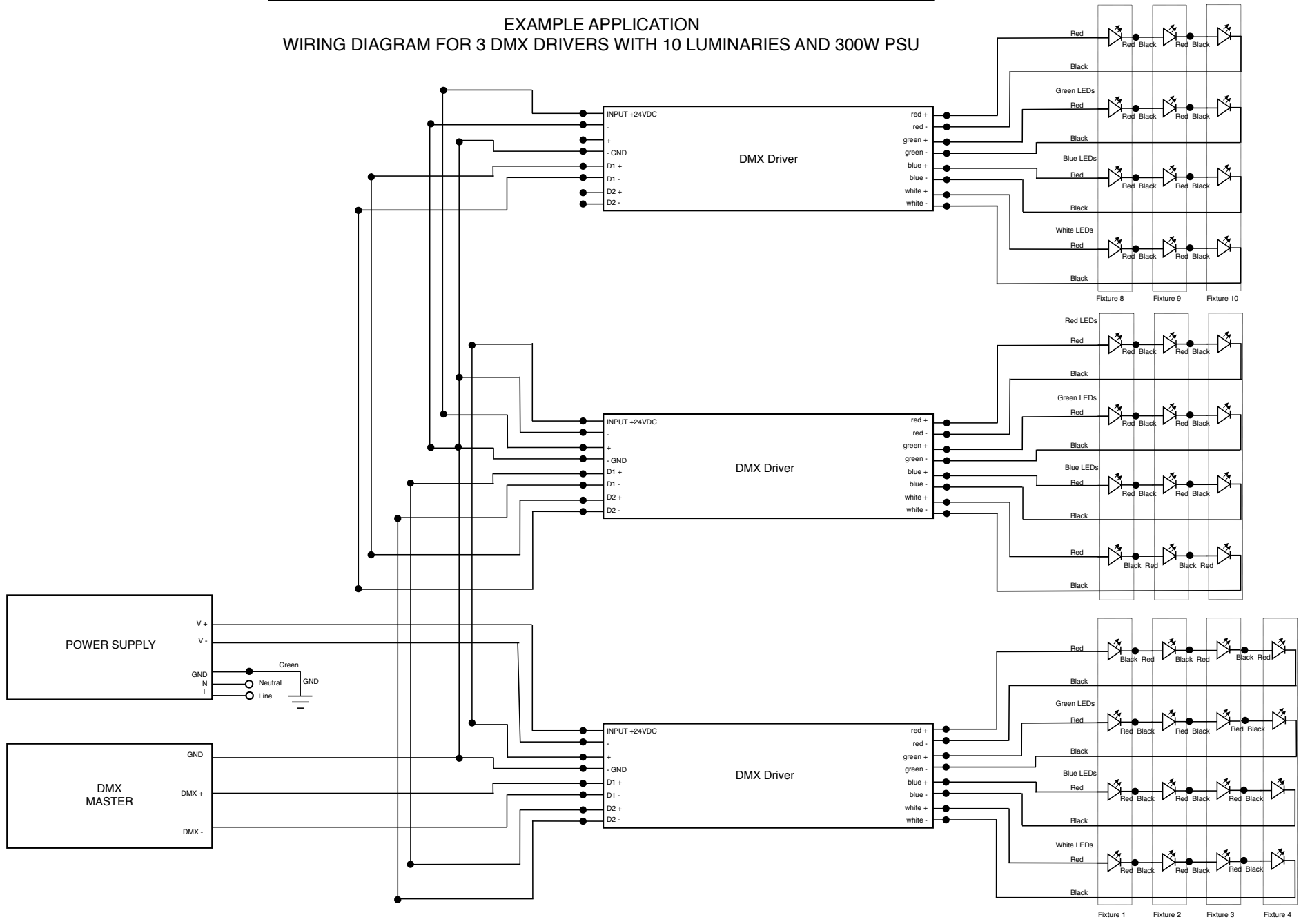
ZANIBONI® LIGHTING

EXAMPLE APPLICATION
WIRING DIAGRAM FOR CONTROL4 ADAPTIVE PHASE DIMMER
SWITCH WITH TWO WIRES ZANIBONI DIMMABLE DRIVER
Option E: ELV Dimmable on the product spec sheet



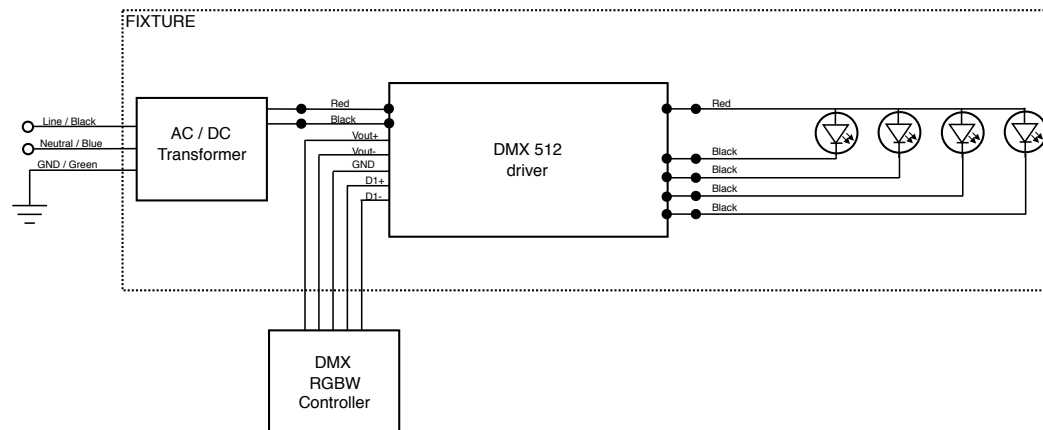
ZANIBONI® LIGHTING

EXAMPLE APPLICATION WIRING DIAGRAM FOR 3 DMX DRIVERS WITH 10 LUMINARIES AND 300W PSU



ZANIBONI® LIGHTING

WIRING DIAGRAM FOR DIMMABLE DMX DRIVER WITH DIMMING DMX RGBW CONTROL



DRIVER AND SWITCH ILLUSTRATED IS FOR EXAMPLE PURPOSES ONLY - MANUFACTURERS VARY DEPENDING ON TECHNICAL REQUIREMENTS OF THE LIGHT