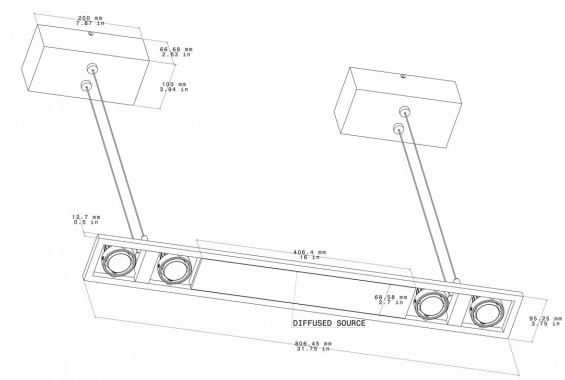
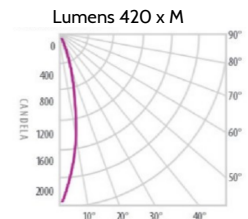
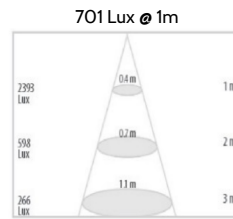


Project	
Type	
Contact	



**Diva 2 N**  
**Custom Light Sources**  
**2 in. | 420 x M**  
**Rectangular | Adjustable 20° | Pendant**

Performance Options	3W		7W	
Source Lumens	404 lm		685 lm	
Delivered Lumens	319 lm x M		420 lm x M	
Lumens / Watt	106 lm		60 lm	
Current	350 mA		700 mA	
CRI/CCT Multiplier	2700°K	3000°K	3500°K	4000°K
80 CRI	0.93	1.00	1.00	1.07
95 CRI	0.69	0.75	0.81	0.87



P1	D05NM	___	___	___	___	___	___	___	___	___
Source	Model	Wattage	Kelvin	CRI	Beam	Lens	Color	Driver	Installation	I.P. Rating
P1	D05NM:Diva 2 N	03:03W 07:07W	27:2700° 30:3000° 35:3500° 40:4000° AM:Amber	A:80 B:95	1:10° 2:24° 3:36° 6:60°	C:Clear F:Frosted P:Prismatic	WS:Matte White BK:Matte Black CC:Custom	Z:0-10V Dimmable to 1% O:No Driver E:ELV Dimmable T:Lutron™ L:Lutron™ N:Non-Dimmable x2 F:ELV Dimmable +EM Backup M:Lutron™ U:Lutron™ Q:Non-Dimmable +EM Backup D:DALI A:0-10V Dimmable to 1% +EM Backup	O:No Accessories R:Retro-Fit Enclosure RL:Retro-Fit for Lutron™	D:Dry IP 20

Generated on 02-22-2019

## Specifications

This specification Grade LED downlight offers a wide selection of LED modules options to address design requirements in the spaces it illuminates. Many additional custom options are available; please contact manufacturer for details.

### LED source

Tool-free field-replaced LED module. Proprietary high performance aluminum die cast heatsink for maximum LED life.

### Source

Computer-optimized reflector design. High reflected finish aluminum. Tool-free field-interchangeable reflectors and lens. 0-20°(O version), 0-40°(J version) vertical and 360° horizontal adjustment.

### Body

Die-cast aluminum frame and body.

### Trim

Die-cast aluminum CNC machine finished Minimal thickness. White can be field painted to match adjacent finishes.

### Fixture retention

Two torsion springs hold the fixture tight to the ceiling accommodating ceiling thickness from 1/16" to 1". Special springs for thicker ceiling available on request.

### Life

Rated for 50,000 hours at 70% lumen maintenance.

### Label

Etl listed for US Canada. CE labeled. CCC label available on request.

### Warranty

5 years limited warranty.

### Wet location

(if option is available ont and selected on page 1)

Sealed lens and integral silicon gasket behind the trim.

## Dimming compatibility

Zaniboni fixture are compatible with all major dimming protocol in the industry. Please refer to [zanibonilighting.com](http://zanibonilighting.com) for general compatibility and wiring diagrams. Zaniboni recommends testing your unique dimming configuration as the exact full configuration (Dimmer, drivers, fixture quantities, voltage) may affect dimming performance.



### N: Non-Dimmable

110-277V, 50/60Hz.

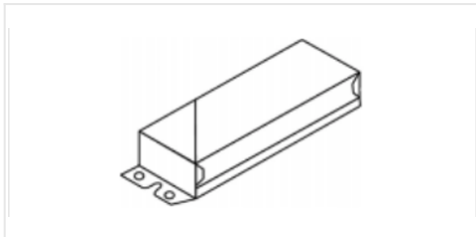
Economic solution for ON-OFF applications not requiring dimming.



### E: ELV Dimmable

110-277V, 50/60Hz.

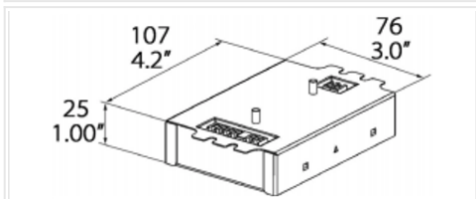
For ELV(Electronic Low Voltage) dimmers. Best for new construction application. Dims down to less than 10% light output(most cases). Consult dimming manufacturer for installation instructions. Must meet dimmer Minimum load Requirements.



### Z: O-10V Dimmable

110-277, 50/60Hz.

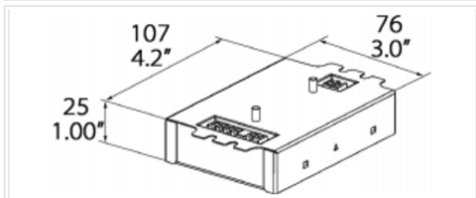
Prevalent solution on commercial projects. Integrates into a variety of building management and day lighting controls. Dims down to less than 1% light output(most cases). Must meet dimmer Minimum Load Requirements. Consult dimming manufacturer for installation instructions.



### L: Lutron Hi-Lume A L3D

120-277V, 50/60Hz.

For 3-wire LUTRON dimming systems. Continuous dimming to 1% Consult dimming manufacturer for installation instructions.



### T: Lutron Hi-Lume A LTE

120V, 50/60Hz.

For 2-wire Forward Phase Controls. Continuous dimming to 1% Consult dimming manufacturer for installation instructions.

### N&E: Non-Dimmable & ELV Drivers

Measurements	LWH in mm	LWH in inches
7W - 9W - 13W	85.5 - 38 - 27.7	3.36" - 1.49" - 1.09"
18W - 26W	89 - 41 - 31.5	3.5" - 1.62" - 1.24"
36W - 50W	89 - 41 - 31.5	3.5" - 1.62" - 1.24"

### N&E: Non-Dimmable & ELV Drivers

Measurements	LWH in mm	LWH in inches
7W - 9W - 13W	85.3 - 38 - 27.7	3.36" - 1.49" - 1.09"
18W - 26W	89 - 41 - 31.5	3.5" - 1.62" - 1.24"
36W - 50W	138 - 47 - 32	5.43" - 1.85" - 1.25"