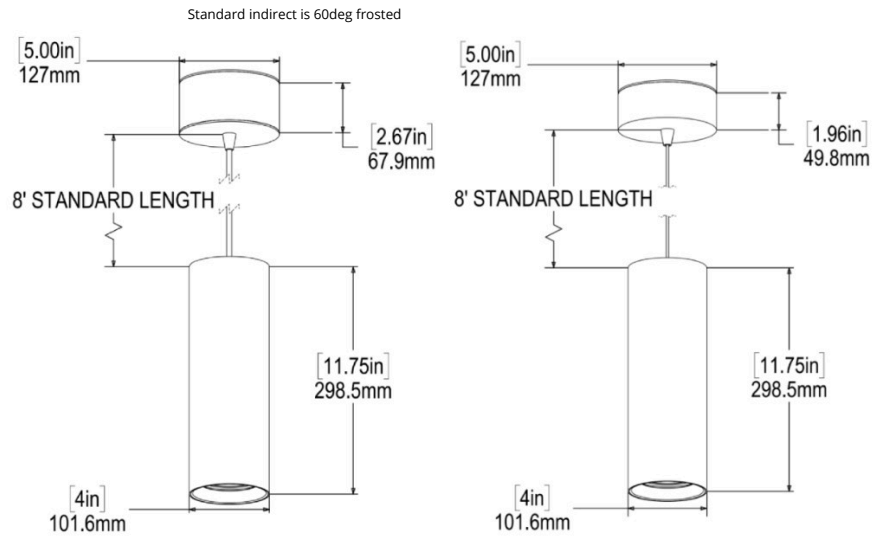


Project	
Type	
Contact	



BONGO 3 PD

2 Light Sources				
3" 1575 lm / per light source				
Round Fixed Direct / Indirect, Pendant				
Performance Options	36W (18W x 2 lights)			
Source Lumens	4064 lm			
Delivered Lumens	3150 lm (1575 x 2 lights)			
Lumens / Watt	88 lm			
Current	1000 mA			
CRI/CCT Multiplier	2700°K	3000°K	3500°K	4000°K
80 CRI	0.93	1.00	1.00	1.07
95 CRI	0.69	0.75	0.81	0.87



P3	BO3PD	—	—	—	—	—	—	—	—	—	—
Source	Model	Wattage	Kelvin Direct	Kelvin Indirect	CRI	Beam Direct	Lens Direct	Driver	Color	Installation	I.P. Rating
P3	BO3PD:Bongo 3 PD	36:36W (2 x 18W)	2:2700K 3:3000K 5:3500K 4:4000K H:Tunable White 1800K to 4000K (Hospitality) D:Tunable White 2700K to 6500K (Daylight) R:RGBW	2:2700K 3:3000K 5:3500K 4:4000K H:Tunable White 1800K to 4000K (Hospitality) D:Tunable White 2700K to 6500K (Daylight) R:RGBW	A:80 x2 B:95 x2	6:60° 3:36° 2:24° 1:10°(WD, TH, TD, and RGBW not possible with 10°)	C:Clear x1 F:Frosted x2 (Indirect White) X:Hex Louver + Solite x1 L:Cross Louver + Solite x1 P:Prismatic x1 S:Solite x1	0:No Housings N:Non-Dimmable x2 N:Non-Dimmable() E:ELV Dimmable x2 E:ELV Dimmable() Z:0-10V Dimmable to 1% x2 Z:0-10V Dimmable to 1%() B:Bluetooth X:DMX	WS:Matte White BK:Matte Black WK:White Trim / Black Splay BP:Black Pearl SN:Satin Nickel BZ:Bronze CC:Custom Color DA: Dual Action (Dual Action is a clear coat on raw aluminum)	0I:Canopy for Integral Driver 2T:2C Line Voltage Track 3T:3C Line Voltage Track CC:Concrete Ceiling	D: Dry IP 20

Optional Emergency Backup Battery can be found on Products/[Accessories](#)

Generated on 04-26-2024

Specifications

This specification Grade LED downlight offers a wide selection of LED modules options to address design requirements in the spaces it illuminates. Many additional custom options are available; please contact manufacturer for details.

LED source

Tool-free field-replaced LED module. Proprietary high performance aluminum die cast heatsink for maximum LED life.

Source

Computer-optimized reflector design. High reflected finish aluminum. Tool-free field-interchangeable reflectors and lens. 0-20°(O version), 0-40°(J version) vertical and 360° horizontal adjustment.

Body

Die-cast aluminum frame and body.

Trim

Die-cast aluminum CNC machine finished Minimal thickness. White can be field painted to match adjacent finishes.

Fixture retention

Two torsion springs hold the fixture tight to the ceiling accommodating ceiling thickness from 1/16" to 1". Special springs for thicker ceiling available on request.

Life

Rated for 50,000 hours at 70% lumen maintenance.

Label

ETL listed for US Canada. CE labeled. CCC label available on request.

Warranty

5 years limited warranty.

Wet location

(if option is available and selected on page 1) Sealed lens and integral silicon gasket behind the trim.

Dimming compatibility

Zaniboni fixture are compatible with all major dimming protocol in the industry. Please refer to zanibonilighting.com for general compatibility and wiring diagrams. Zaniboni recommends testing your unique dimming configuration as the exact full configuration (Dimmer, drivers, fixture quantities, voltage) may affect dimming performance.



N: Non-Dimmable

110-277V, 50/60Hz.

Economic solution for ON-OFF applications not requiring dimming.



E: ELV Dimmable

110-277V, 50/60Hz.

For ELV(Electronic Low Voltage) dimmers. Best for new construction application. Dims down to less than 10% light output(most cases). Consult dimming manufacturer for installation instructions. Must meet dimmer Minimum load Requirements.



Z: 0-10V Dimmable

110-277, 50/60Hz.

Prevalent solution on commercial projects. Integrates into a variety of building management and day lighting controls. Dims down to less than 1% light output(most cases). Must meet dimmer Minimum Load Requirements. Consult dimming manufacturer for installation instructions.



L: Lutron Hi-Lume A LDE

120-277V, 50/60Hz.

For LUTRON EcoSystem drivers only. Continuous dimming to 1%

Consult dimming manufacturer for installation instructions. Requires access from above on all fixtures with a cutout below 81mm.



T: Lutron Hi-Lume A LTE

120V, 50/60Hz.

For 2-wire Forward Phase Controls. Continuous dimming to 1%

Consult dimming manufacturer for installation instructions. Requires access from above on all fixtures with a cutout below 81mm.

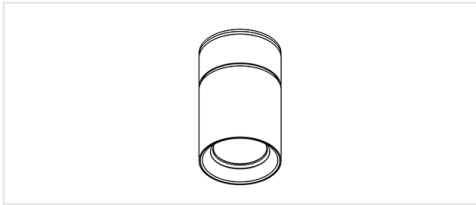
N&E: Non-Dimmable & ELV Drivers

Measurements	LWH in mm	LWH in inches
7W - 9W - 13W	85.5 - 38 - 27.7	3.36" - 1.49" - 1.09"
18W - 26W	89 - 41 - 31.5	3.5" - 1.62" - 1.24"
36W - 50W	89 - 41 - 31.5	3.5" - 1.62" - 1.24"

N&E: Non-Dimmable, ELV Drivers & 0-10V Dimmable

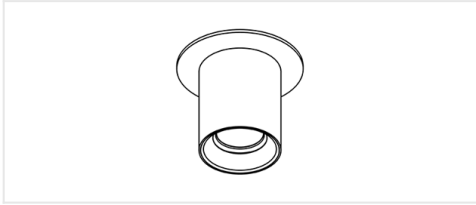
Measurements	LWH in mm	LWH in inches
7W - 9W - 13W	85.3 - 38 - 27.7	3.36" - 1.49" - 1.09"
18W - 26W	89 - 41 - 31.5	3.5" - 1.62" - 1.24"
36W - 50W	138 - 47 - 32	5.43" - 1.85" - 1.25"

Installation



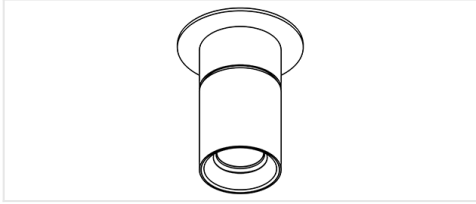
L: Canopy for On-Board Driver

Canopy for on-board ELV or 0-10V driver



M: J-Box Cover

Beauty ring to cover 4.0" j-box opening. Driver is remote



N: Canopy for On-Board Driver + J-Box Cover

Canopy for on-board ELV or 0-10V driver. Beauty ring to cover 4.0" j-box opening