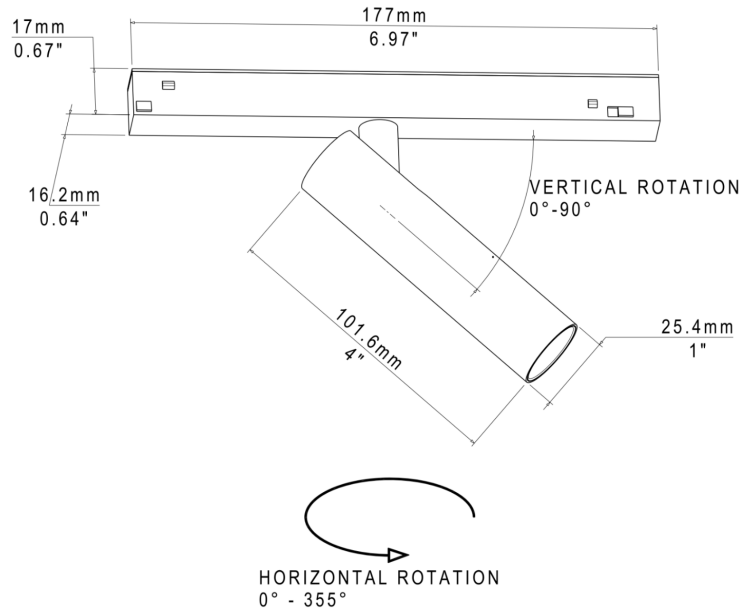




Project	
Type	
Contact	

The powered side of the mini track adapter is identified by the ETL label. Track is available as a standard in 48V. If 24V is required, it will be a custom order, please contact your sales person.



GEM 4 R

1 Light Sources
612
Round | Mini-Track

Performance Options	3W	5W		
Source Lumens	1m	1m		
Delivered Lumens	343 lm	612 lm		
Lumens / Watt	114 lm	122 lm		
Current	350 mA	250 mA		
CRI/CCT Multiplier	2700°K	3000°K	3500°K	4000°K
80 CRI	0.93	1.00	1.00	1.07
95 CRI	0.69	0.75	0.81	0.87

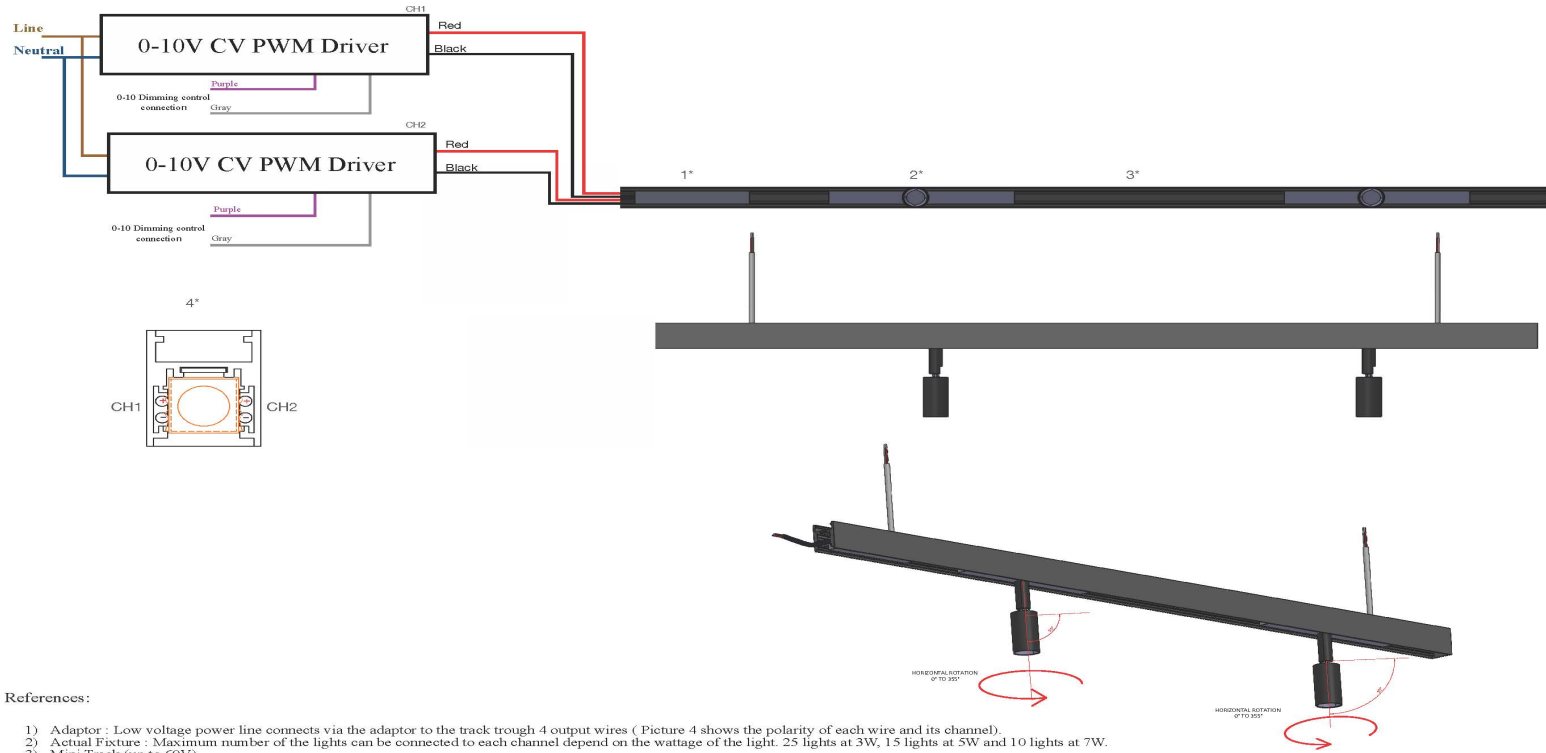


Source	Model	Wattage	Kelvin	CRI	Beam	Lens	Color	Voltage	Installation	I.P. Rating
K0	GEM4R	—	—	—	—	—	—	V	—	—
K0	GEM4R:Gem 4 R	03:03W	27:2700k 30:3000k 35:3500k 40:4000k	A:80 B:95	6:60° 3:36° 2:24°	C:Clear	WS:Matte White BK:Matte Black WK:White Trim / Black Splay BP:Black Pearl SN:Satin Nickel BZ:Bronze CC:Custom Color	V:Constant Voltage Dimmable(For 24v & 48v Dimming Options see track accessories list.. Price does not include power supply)	0S:Standard Regress(Mini-Track Recessed, Mini-Track Surface,Indirect track of the Direct/Indirect Double Mini-Track D) 0D:Deep Regress(For installation on Direct/Indirect Double Mini-Track D, Mini-Track Trimless T, Mini-Track Trimless H,Direct track of the Direct/Indirect Mini-Track I) CS:Custom Stem(Speak with sales rep for custom length)	D:Dry IP 20

Optional Emergency Backup Battery can be found on Products/[Accessories](#)

Generated on 04-27-2024

Gem 2, Gem 4 R, Gem L 4, Gem L 6 R 0-10 mini track wiring diagram, Two Circuits



References:

- 1) Adaptor : Low voltage power line connects via the adaptor to the track trough 4 output wires (Picture 4 shows the polarity of each wire and its channel).
 - 2) Actual Fixture : Maximum number of the lights can be connected to each channel depend on the wattage of the light. 25 lights at 3W, 15 lights at 5W and 10 lights at 7W.
 - 3) Mini Track (up to 60V)
 - 4) Mini track side view with the adaptor inside showing two channel connection.
- * Dimming options are: ELV,0-10, Dali, Bluetooth mesh



MANUFACTURERS VARY DEPENDING ON TECHNICAL REQUIREMENTS OF THE LIGHT

*The manufacturer reserves the right to change or modify the design, dimensions and specifications at anytime without notice. The manufacturer accepts no liability for consequential damage which is occasioned to the user base on the data provided.