

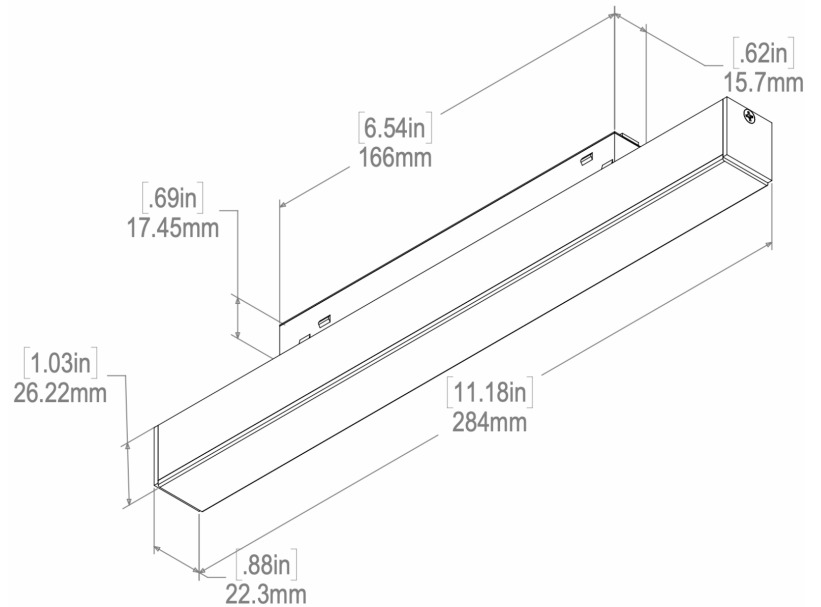
RIGA MT OPAL

1206 Tracklight		
Performance Options	9W	13W
Source Lumens	982 lm	1785 lm
Delivered Lumens	647 lm	1206 lm
Lumens / Watt	72 lm	93 lm
Voltage	250 mA	350 mA

L1	RIGMO	—	—	—	—	—	V	—	—
Source	Model	Wattage	Kelvin	CRI	Lens	mA	Voltage	Length Inches	Color
L1	RIGMO:Riga MT Opal	09:09W	30:3000k	B:95	OP:Opal	250:250mA	48:48	12:12"	BK:Black
		13:13W		C:90		350:350mA		23:23"	WS:White
		18:18W				500:500mA		34:34"	
		26:26W				700:700mA		45:45"	
		36:36W				900:900mA		56:56"	

Project	
Type	
Contact	

The powered side of the mini track adapter is identified by the ETL label. Track is available as a standard in 48V. If 24V is required, it will be a custom order, please contact your sales person.



Optional Emergency Backup Battery can be found on Products/[Accessories](#)

Generated on 04-27-2024

Dimming compatibility

Zaniboni fixture are compatible with all major dimming protocol in the industry. Please refer to zanibonilighting.com for general compatibility and wiring diagrams. Zaniboni recommends testing your unique dimming configuration as the exact full configuration (Dimmer, drivers, fixture quantities, voltage) may affect dimming performance.



N: Non-Dimmable

110-277V, 50/60Hz.

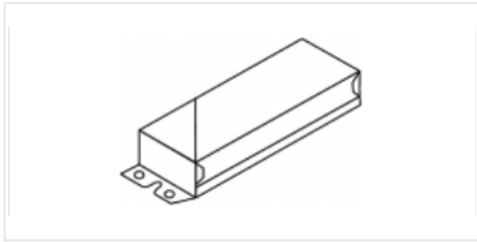
Economic solution for ON-OFF applications not requiring dimming.



E: ELV Dimmable

110-277V, 50/60Hz.

For ELV(Electronic Low Voltage) dimmers. Best for new construction application. Dims down to less than 10% light output(most cases). Consult dimming manufacturer for installation instructions. Must meet dimmer Minimum load Requirements.



Z: 0-10V Dimmable

110-277, 50/60Hz.

Prevalent solution on commercial projects. Integrates into a variety of building management and day lighting controls. Dims down to less than 1% light output(most cases). Must meet dimmer Minimum Load Requirements. Consult dimming manufacturer for installation instructions.

N&E: Non-Dimmable & ELV Drivers

Measurements	LWH in mm	LWH in inches
7W - 9W - 13W	85.5 - 38 - 27.7	3.36" - 1.49" - 1.09"
18W - 26W	89 - 41 - 31.5	3.5" - 1.62" - 1.24"
36W - 50W	89 - 41 - 31.5	3.5" - 1.62" - 1.24"

N&E: Non-Dimmable, ELV Drivers & 0-10V Dimmable

Measurements	LWH in mm	LWH in inches
7W - 9W - 13W	85.3 - 38 - 27.7	3.36" - 1.49" - 1.09"
18W - 26W	89 - 41 - 31.5	3.5" - 1.62" - 1.24"
36W - 50W	138 - 47 - 32	5.43" - 1.85" - 1.25"