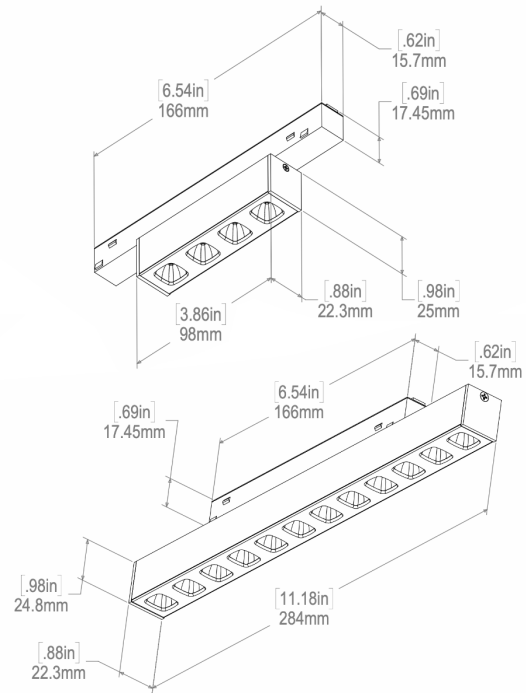
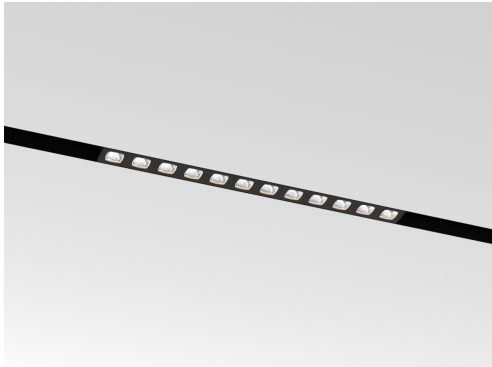


Project	
Type	
Contact	

The powered side of the mini track adapter is identified by the ETL label. Track is available as a standard in 48V. If 24V is required, it will be a custom order, please contact your sales person.



## RIGA MT UGR

1056 Tracklight			
Performance Options	5W	9W	13W
Source Lumens	285 lm	936 lm	1198 lm
Delivered Lumens	251 lm	825 lm	1056 lm
Lumens / Watt	50 lm	92 lm	81 lm
Voltage	350 mA	500 mA	700 mA



L1	RIGMU	—	—	—	—	—	V	—	—
Source	Model	Wattage	Kelvin	CRI	Lens	mA	Voltage	Length Inches	Color
L1	RIGMU:Riga MT UGR	05:5W 09:9W 13:13W	30:3000k	B:95 C:90	UG:UGR < 19	250:250mA 350:350mA 500:500mA	2448:24/48V	12:12" 23:23" 34:34"	BK:Black WS:White

Optional Emergency Backup Battery can be found on Products/[Accessories](#)

Generated on 05-09-2024

## Dimming compatibility

Zaniboni fixture are compatible with all major dimming protocol in the industry. Please refer to [zanibonilighting.com](http://zanibonilighting.com) for general compatibility and wiring diagrams. Zaniboni recommends testing your unique dimming configuration as the exact full configuration (Dimmer, drivers, fixture quantities, voltage) may affect dimming performance.



### N: Non-Dimmable

110-277V, 50/60Hz.

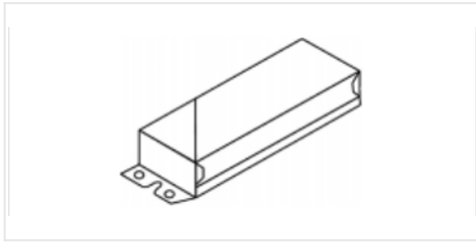
Economic solution for ON-OFF applications not requiring dimming.



### E: ELV Dimmable

110-277V, 50/60Hz.

For ELV(Electronic Low Voltage) dimmers. Best for new construction application. Dims down to less than 10% light output(most cases). Consult dimming manufacturer for installation instructions. Must meet dimmer Minimum load Requirements.



### Z: 0-10V Dimmable

110-277, 50/60Hz.

Prevalent solution on commercial projects. Integrates into a variety of building management and day lighting controls. Dims down to less than 1% light output(most cases). Must meet dimmer Minimum Load Requirements. Consult dimming manufacturer for installation instructions.

#### N&E: Non-Dimmable & ELV Drivers

Measurements	LWH in mm	LWH in inches
7W - 9W - 13W	85.5 - 38 - 27.7	3.36" - 1.49" - 1.09"
18W - 26W	89 - 41 - 31.5	3.5" - 1.62" - 1.24"
36W - 50W	89 - 41 - 31.5	3.5" - 1.62" - 1.24"

#### N&E: Non-Dimmable, ELV Drivers & 0-10V Dimmable

Measurements	LWH in mm	LWH in inches
7W - 9W - 13W	85.3 - 38 - 27.7	3.36" - 1.49" - 1.09"
18W - 26W	89 - 41 - 31.5	3.5" - 1.62" - 1.24"
36W - 50W	138 - 47 - 32	5.43" - 1.85" - 1.25"