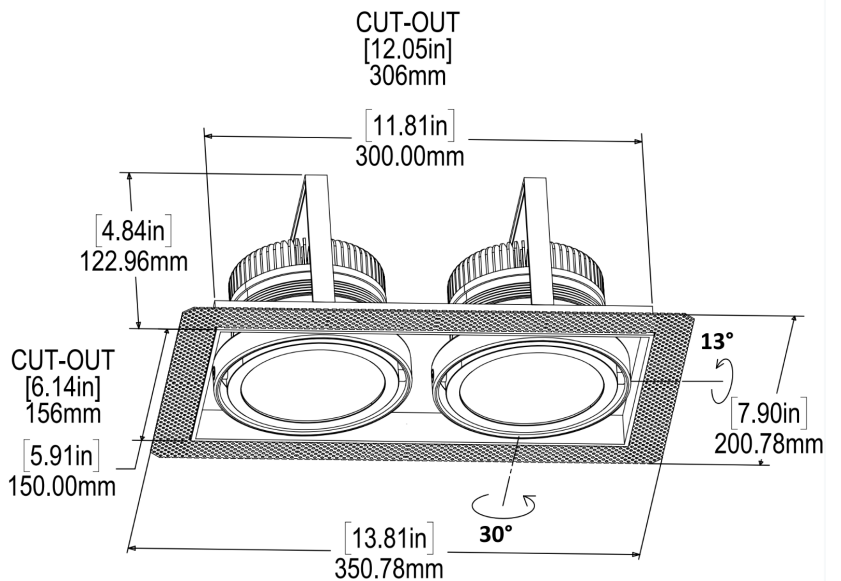




DIVA 5 TDN

2 Light Sources					
5" 3575 lm / per light source					
Rectangle Adjustable 30° Downlight					
Performance Options	18W (9W x 2 lights)	26W (13W x 2 lights)	36W (18W x 2 lights)	52W (26W x 2 lights)	72W (36W x 2 lights)
Source Lumens	2398 lm	3254 lm	4112 lm	5710 lm	7284 lm
Delivered Lumens Per Head	1774 lm (887 x 2 lights)	2382 lm (1191 x 2 lights)	3150 lm (1575 x 2 lights)	4280 lm (2140 x 2 lights)	7150 lm (3575 x 2 lights)
Lumens / Watt	117 lm	109 lm	98 lm	89 lm	113 lm
Current	500 mA	700 mA	1000 mA	1400 mA	1800 mA
CRI/CCT Multiplier	2700°K	3000°K	3500°K	4000°K	
80 CRI	0.93	1.00	1.00	1.07	
95 CRI	0.69	0.75	0.81	0.87	



D4	D5TDN	—	—	—	—	—	—	—	—	—
Source	Model	Wattage	Kelvin	CRI	Beam	Lens	Color	Driver	Installation	I.P. Rating
D4	D5TDN: Diva 5 TDN	18:18W (2 x 9W) 26:26W (2 x 13W) 36:36W (2 x 18W) 52:52W (2 x 26W) 72:72W (2 x 36W)	27:2700k 30:3000k 35:3500k 40:4000k WD: Warm Dim 1800K to 3000K (Not possible with 36W) TD: Tunable White 2700K to 6500K (Daylight) TH: Tunable White 1800K to 4000K (Hospitality) RW: RGBW (Driver must be remote)	A:80 B:95	6:60° 3:36° 2:24° 1:10°(WD, TH, TD, and RGBW not possible with 10°)	C: Clear F: Frosted X: Hex Louver + Solite L: Cross Louver + Solite P: Prismatic S: Solite	WS: Matte White BK: Matte Black CC: Custom Color	0: No Driver N: Non-Dimmable E: ELV Dimmable Z: 0-10V Dimmable to 1% B: Bluetooth L: Lutron™ (Lutron EcoSystem) D: DALI X: DMX	00: No Housings E0: Airtight Enclosure (Needs to be powder coated black inside) F0: Chicago Plenum (Needs to be powder coated black inside) G0: Title 24 for Residential (Needs to be powder coated black inside) A0: Class 1, IC (Needs to be powder coated black inside)	D: Dry IP 20

Optional Emergency Backup Battery can be found on Products/[Accessories](#)

Generated on 04-28-2024

Specifications

This specification Grade LED downlight offers a wide selection of LED modules options to address design requirements in the spaces it illuminates. Many additional custom options are available; please contact manufacturer for details.

LED source

Tool-free field-replaced LED module. Proprietary high performance aluminum die cast heatsink for maximum LED life.

Source

Computer-optimized reflector design. High reflected finish aluminum. Tool-free field-interchangeable reflectors and lens. 0-20°(O version), 0-40°(J version) vertical and 360° horizontal adjustment.

Body

Die-cast aluminum frame and body.

Trim

Die-cast aluminum CNC machine finished Minimal thickness. White can be field painted to match adjacent finishes.

Fixture retention

Simple installation: back box secured to the drywall using appropriate screws, for the trimless look the back box is mud-in up to the trim, after ceiling finish, gimbal connection.

Life

Rated for 50,000 hours at 70% lumen maintenance.

Label

ETL listed for US Canada. CE labeled. CCC label available on request.

Warranty

5 years limited warranty.

Wet location

(if option is available and selected on page 1) Sealed lens and integral silicon gasket behind the trim.

Dimming compatibility

Zaniboni fixture are compatible with all major dimming protocol in the industry. Please refer to zanibonilighting.com for general compatibility and wiring diagrams. Zaniboni recommends testing your unique dimming configuration as the exact full configuration (Dimmer, drivers, fixture quantities, voltage) may affect dimming performance.



N: Non-Dimmable

110-277V, 50/60Hz.

Economic solution for ON-OFF applications not requiring dimming.



E: ELV Dimmable

110-277V, 50/60Hz.

For ELV(Electronic Low Voltage) dimmers. Best for new construction application. Dims down to less than 10% light output(most cases). Consult dimming manufacturer for installation instructions. Must meet dimmer Minimum load Requirements.



Z: 0-10V Dimmable

110-277, 50/60Hz.

Prevalent solution on commercial projects. Integrates into a variety of building management and day lighting controls. Dims down to less than 1% light output(most cases). Must meet dimmer Minimum Load Requirements. Consult dimming manufacturer for installation instructions.



L: Lutron Hi-Lume A LDE

120-277V, 50/60Hz.

For LUTRON EcoSystem drivers only. Continuous dimming to 1%

Consult dimming manufacturer for installation instructions. Requires access from above on all fixtures with a cutout below 81mm.



T: Lutron Hi-Lume A LTE

120V, 50/60Hz.

For 2-wire Forward Phase Controls. Continuous dimming to 1%

Consult dimming manufacturer for installation instructions. Requires access from above on all fixtures with a cutout below 81mm.

N&E: Non-Dimmable & ELV Drivers

Measurements	LWH in mm	LWH in inches
7W - 9W - 13W	85.5 - 38 - 27.7	3.36" - 1.49" - 1.09"
18W - 26W	89 - 41 - 31.5	3.5" - 1.62" - 1.24"
36W - 50W	89 - 41 - 31.5	3.5" - 1.62" - 1.24"

N&E: Non-Dimmable, ELV Drivers & 0-10V Dimmable

Measurements	LWH in mm	LWH in inches
7W - 9W - 13W	85.3 - 38 - 27.7	3.36" - 1.49" - 1.09"
18W - 26W	89 - 41 - 31.5	3.5" - 1.62" - 1.24"
36W - 50W	138 - 47 - 32	5.43" - 1.85" - 1.25"