

MINI RD

Light Sources

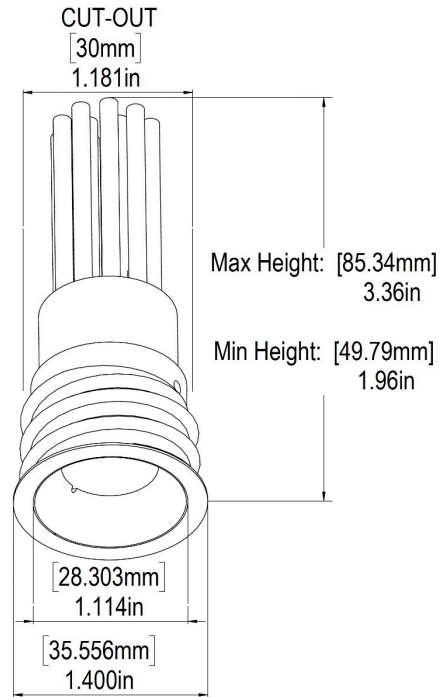
1" | 612 x M
Round | Fixed | Downlight

Performance Options	2W	5W	7W	
Source Lumens	lm	lm	lm	
Delivered Lumens	152 lm x M	448 lm x M	612 lm x M	
Lumens / Watt	76 lm	90 lm	87 lm	
Current	mA	mA	mA	
CRI/CCT Multiplier	2700°K	3000°K	3500°K	4000°K
80 CRI	0.93	1.00	1.00	1.07
95 CRI	0.69	0.75	0.81	0.87

YO	MINRD	—	—	—	—	—	—	—	—	—
Source	Model	Wattage	Kelvin	CRI	Beam	Lens	Color	Converter	Installation	I.P. Rating
YO	MINRD:MINI RD	02:02W 05:05W 07:07W	27:2700K 30:3000K 35:3500K 40:4000K TD:Tunable White 2700K to 6500K (Daylight, Not possible with 2W) TH:Tunable White 1800K to 4000K (Hospitality, Not possible with 2W) WD:Warm Dim 1800K to 3000K (Not possible with 2W, 5W)	A:80 B:95	C:60° Comfort Trim D:36° Comfort Trim E:24° Comfort Trim S:60° Sparkle Trim T:36° Sparkle Trim U:24° Sparkle Trim	C:Clear F:Frosted S:Solite	WS:Matte White BK:Matte Black WK:White trim / Black Splay WG:White Trim / Grey Splay (Grey RAL 7001 Matte) BP:Black Pearl SN:Satin Nickel BZ:Bronze CC:Custom Color	V1:24 VDC 1-Channel Converter *1 (Static/Warm Dim) V2:24 VDC 2-Channel Converter *1 (Tunable White)	00:No Housings (Installed in Low Voltage - Class 2)	D:Dry IP 20

Project	
Type	
Contact	

*1: This is a 24V luminaire. Driver to be specified separately. For line-voltage control and dimming select the appropriate driver on spec sheet page 3.



Optional Emergency Backup Battery can be found on Products/[Accessories](#)

Generated on 04-28-2024

Specifications

This specification Grade LED downlight offers a wide selection of LED modules options to address design requirements in the spaces it illuminates. Many additional custom options are available; please contact manufacturer for details.

LED source

Tool-free field-replaced LED module. Proprietary high performance aluminum die cast heatsink for maximum LED life.

Source

Computer-optimized reflector design. High reflected finish aluminum. Tool-free field-interchangeable reflectors and lens. 0-20°(O version), 0-40°(J version) vertical and 360° horizontal adjustment.

Body

Die-cast aluminum frame and body.

Trim

Die-cast aluminum CNC machine finished Minimal thickness. White can be field painted to match adjacent finishes.

Fixture retention

Two torsion springs hold the fixture tight to the ceiling accommodating ceiling thickness from 1/16" to 1". Special springs for thicker ceiling available on request.

Life

Rated for 50,000 hours at 70% lumen maintenance.

Label

ETL listed for US Canada. CE labeled. CCC label available on request.

Warranty

5 years limited warranty.

Wet location

(if option is available and selected on page 1) Sealed lens and integral silicon gasket behind the trim.

Dimming compatibility

Zaniboni fixture are compatible with all major dimming protocol in the industry. Please refer to zanibonilighting.com for general compatibility and wiring diagrams. Zaniboni recommends testing your unique dimming configuration as the exact full configuration (Dimmer, drivers, fixture quantities, voltage) may affect dimming performance.



N: Non-Dimmable

110-277V, 50/60Hz.

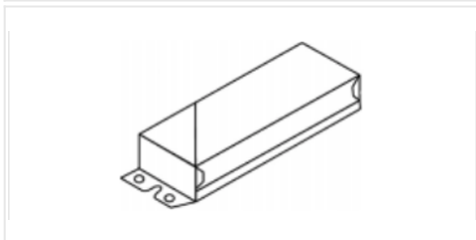
Economic solution for ON-OFF applications not requiring dimming.



E: ELV Dimmable

110-277V, 50/60Hz.

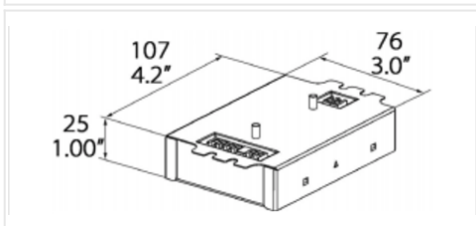
For ELV(Electronic Low Voltage) dimmers. Best for new construction application. Dims down to less than 10% light output(most cases). Consult dimming manufacturer for installation instructions. Must meet dimmer Minimum load Requirements.



Z: 0-10V Dimmable

110-277, 50/60Hz.

Prevalent solution on commercial projects. Integrates into a variety of building management and day lighting controls. Dims down to less than 1% light output(most cases). Must meet dimmer Minimum Load Requirements. Consult dimming manufacturer for installation instructions.

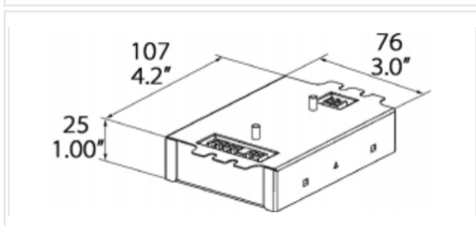


L: Lutron Hi-Lume A LDE

120-277V, 50/60Hz.

For LUTRON EcoSystem drivers only. Continuous dimming to 1%

Consult dimming manufacturer for installation instructions. Requires access from above on all fixtures with a cutout below 81mm.



T: Lutron Hi-Lume A LTE

120V, 50/60Hz.

For 2-wire Forward Phase Controls. Continuous dimming to 1%

Consult dimming manufacturer for installation instructions. Requires access from above on all fixtures with a cutout below 81mm.

N&E: Non-Dimmable & ELV Drivers

Measurements	LWH in mm	LWH in inches
7W - 9W - 13W	85.5 - 38 - 27.7	3.36" - 1.49" - 1.09"
18W - 26W	89 - 41 - 31.5	3.5" - 1.62" - 1.24"
36W - 50W	89 - 41 - 31.5	3.5" - 1.62" - 1.24"

N&E: Non-Dimmable, ELV Drivers & 0-10V Dimmable

Measurements	LWH in mm	LWH in inches
7W - 9W - 13W	85.3 - 38 - 27.7	3.36" - 1.49" - 1.09"
18W - 26W	89 - 41 - 31.5	3.5" - 1.62" - 1.24"
36W - 50W	138 - 47 - 32	5.43" - 1.85" - 1.25"