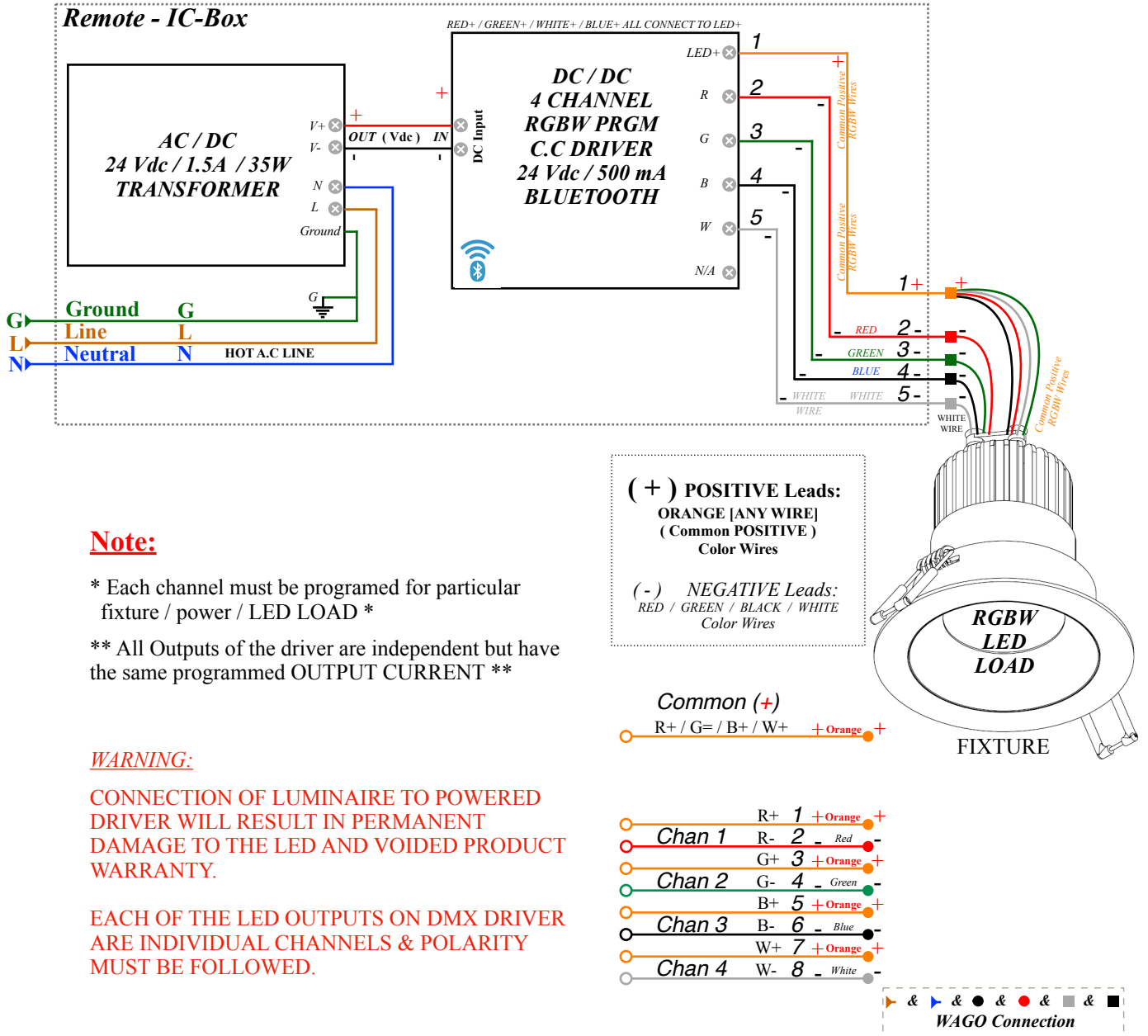


Wiring Diagram I RGBW Bubbly Net Driver

Up to 24Vdc, Programmable Output Current, up to 4 Outputs

Input Voltage: 110...277 Vac

Max Connected LOAD: 18W



Note:

- * Each channel must be programmed for particular fixture / power / LED LOAD *
- ** All Outputs of the driver are independent but have the same programmed OUTPUT CURRENT **

WARNING:

CONNECTION OF LUMINAIRE TO POWERED DRIVER WILL RESULT IN PERMANENT DAMAGE TO THE LED AND VOIDED PRODUCT WARRANTY.

EACH OF THE LED OUTPUTS ON DMX DRIVER ARE INDIVIDUAL CHANNELS & POLARITY MUST BE FOLLOWED.

Illustration is for example purposes only. Components may vary depending on technical requirements of the light.