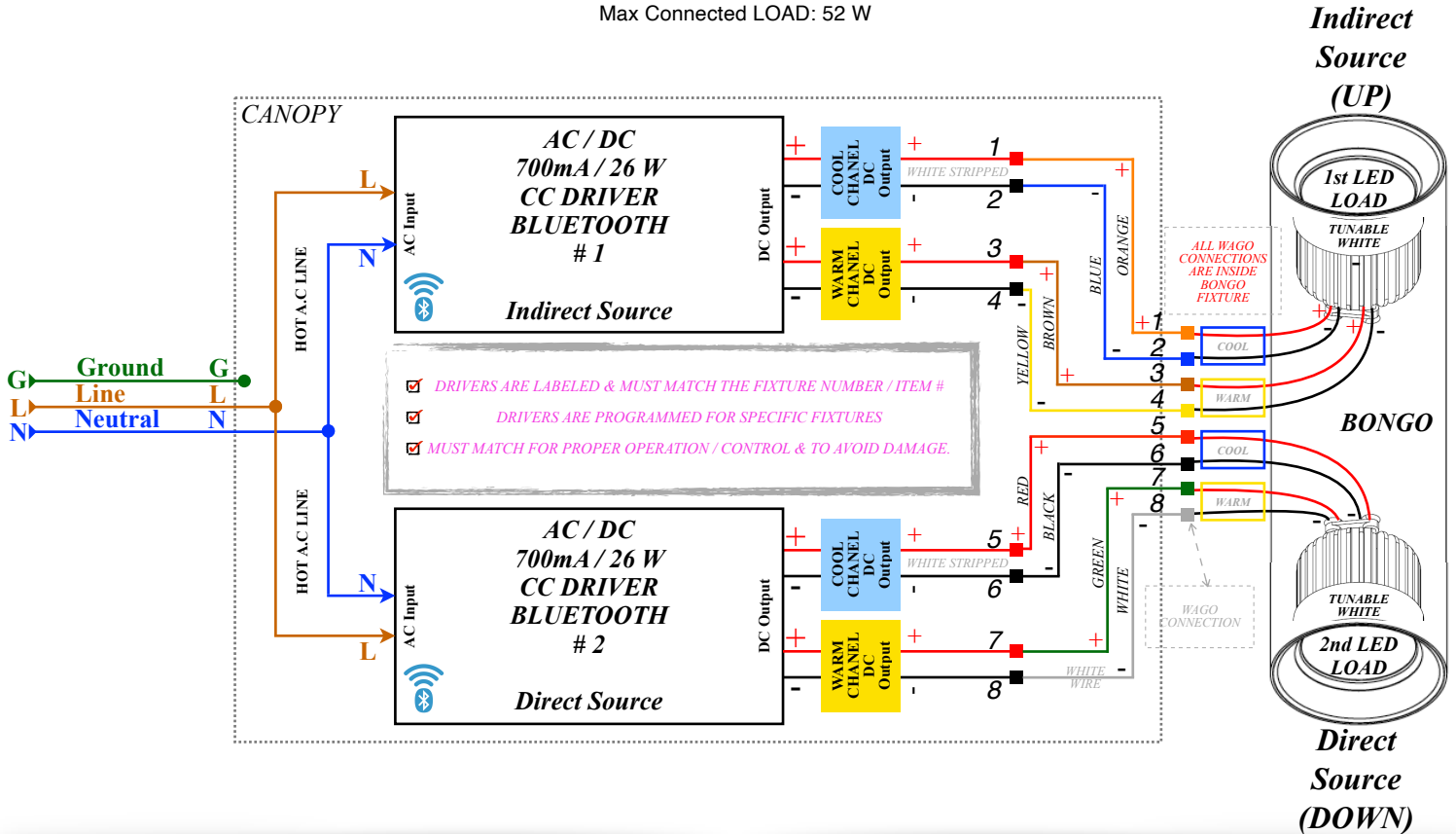


## Wiring Diagram I BONGO PD - TUNABLE WHITE

INDIRECT : 36Vdc, 700mA, 26W DIRECT : 36Vdc, 700mA, 26W

Input Voltage: 110 - 277 Vac

Max Connected LOAD: 52 W



### Note:

\* All TUNABLE WHITE LED wires MARKED with [BLUE] for COOL & [YELLOW] for WARM; POLARITY (RED) for positive & (BLACK) for negative.  
ALL wires connections are inside the fixture; the 8 count wire is used to hang (PENDENT) the fixture & to connect DRIVER's # [1 & 2] inside the CANOPY.

#### # 1

COOL POSITIVE [+]: RED with (white stripe) wire to ORANGE [ 1 ]  
COOL NEGATIVE [-]: BLACK with (white stripe) wire to BLUE [ 2 ]

WARM POSITIVE [+]: RED with (solid) wire to BROWN [ 3 ]  
WARM NEGATIVE [-]: BLACK with (solid) wire to YELLOW [ 4 ]

#### # 2

COOL POSITIVE [+]: RED with (white stripe) wire to RED [ 5 ]  
COOL NEGATIVE [-]: BLACK with (white stripe) wire to BLACK [ 6 ]

WARM POSITIVE [+]: RED with (solid) wire to GREEN [ 7 ]  
WARM NEGATIVE [-]: BLACK with (solid) wire to WHITE [ 8 ]

\*\* LINE & NEUTRAL of both DRIVERS # [1 & 2] connected to LINE and NEUTRAL of the Building, GROUND is connected to the CANOPY.

\*Illustration is for example purposes only. Components may vary depending on technical requirements of the light.\*

101 North Garden Avenue • Clearwater, Florida 33755 USA • P 727.213.0410 • Support@ZaniboniLighting.com

The manufacturer reserves the right to change or modify the design, dimensions and specifications at any time without notice.

The manufacturer accepts no liability for consequential damage which is occasioned to the user based on the data provided.

For more information contact your representative or go to [ZaniboniLighting.com](http://ZaniboniLighting.com).