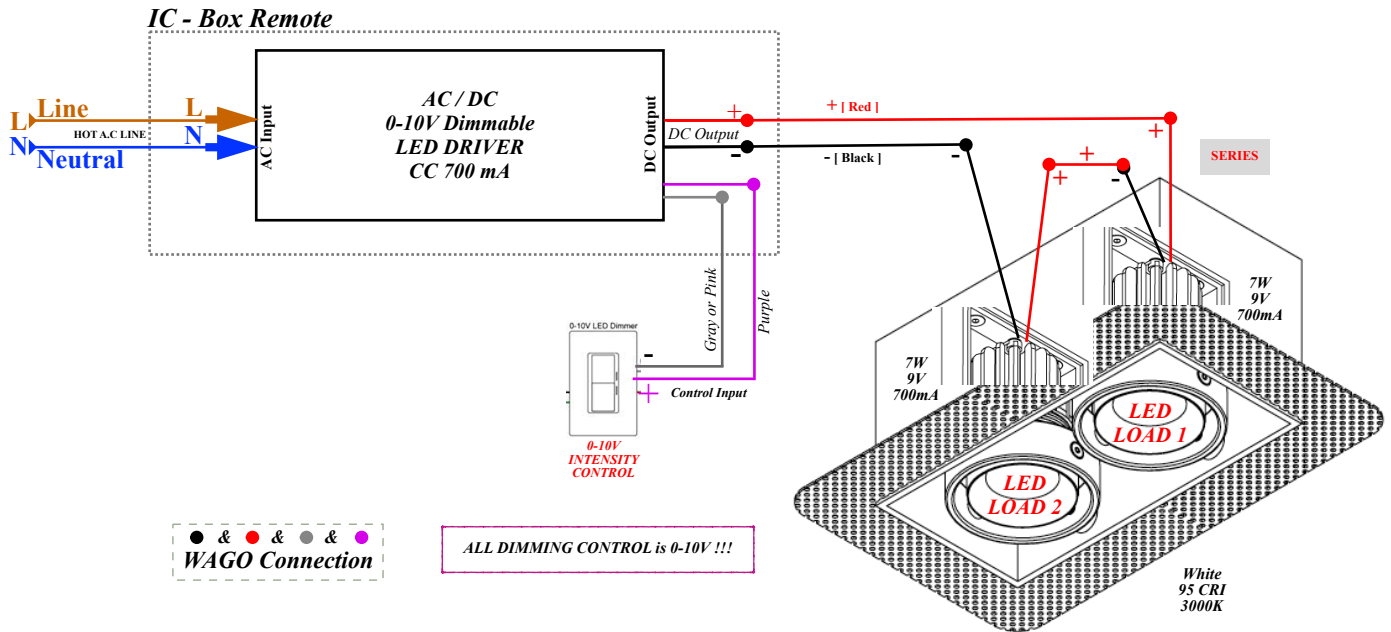


## Wiring Diagram I DIVA TD

DIRECT: ZANIBONI CC 700mA, 2x9Vdc, 2x7W (14W)

**Input Voltage: 110...277 Vac**

Max Connected LOAD: 14 W



**Note:**

\* LED Load 1 & 2 are connected in **SERIES** (Positive of LED1 to Driver Positive, Negative of LED1 to Positive of LED2, Negative of LED2 to Driver Negative) \*

\*\* Driver has an OUTPUT-CURRENT [700mA] // OUTPUT-VOLTAGE [18Vdc] \*\*

\*\*\* Driver is 0-10V CONTROLLED \*\*\*

\*\*\*\* **Each LED Load is 7W and in SERIES to make 2\*7W = 14W** \*\*\*\*

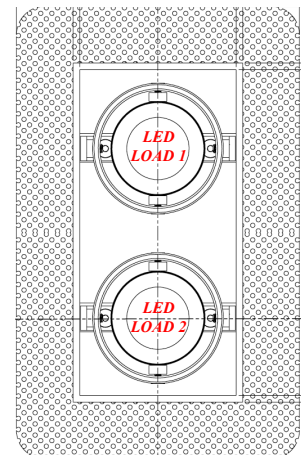
\*\*\*\* **Fixture LED Loads MUST be connected before Powering ON the CC Driver** \*\*\*\*

**WARNING:**

CONNECTION OF LUMINAIRE TO POWERED DRIVER WILL RESULT IN PERMANENT DAMAGE TO THE LED AND VOIDED PRODUCT WARRANTY.

EACH OF THE LED OUTPUTS ON DRIVER ARE INDIVIDUAL CHANNELS & POLARITY MUST BE FOLLOWED.

DIVA 2 TD Fixture



\*Illustration is for example purposes only. Components may vary depending on technical requirements of the light.\*

101 North Garden Avenue • Clearwater, Florida 33755 USA • P 727.213.0410 • Support@ZaniboniLighting.com

The manufacturer reserves the right to change or modify the design, dimensions and specifications at any time without notice. The manufacturer accepts no liability for consequential damage which is occasioned to the user based on the data provided.

For more information contact your representative or go to [ZaniboniLighting.com](http://ZaniboniLighting.com).