

Wiring Diagram I DIVA 3 RM

{ 48Vdc / 96W / 2A } DIRECT: 250mA, 36Vdc, 4 x 9W

Input Voltage: 110...277 Vac

Max Connected LOAD: 36 W

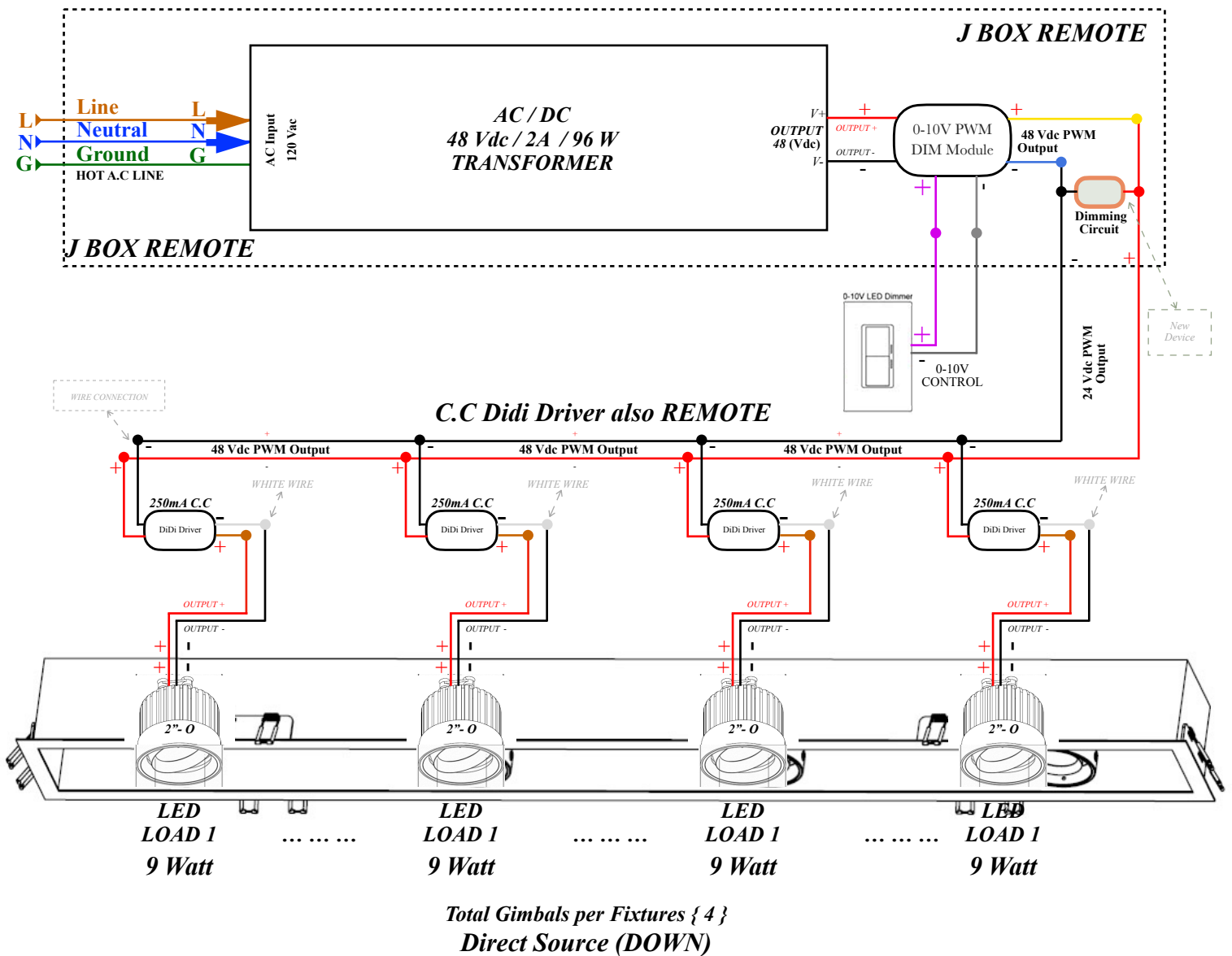


Illustration is for example purposes only. Components may vary depending on technical requirements of the light.

101 North Garden Avenue • Clearwater, Florida 33755 USA • P 727.213.0410 • Support@ZaniboniLighting.com

The manufacturer reserves the right to change or modify the design, dimensions and specifications at any time without notice.

The manufacturer accepts no liability for consequential damage which is occasioned to the user based on the data provided.

For more information contact your representative or go to ZaniboniLighting.com.