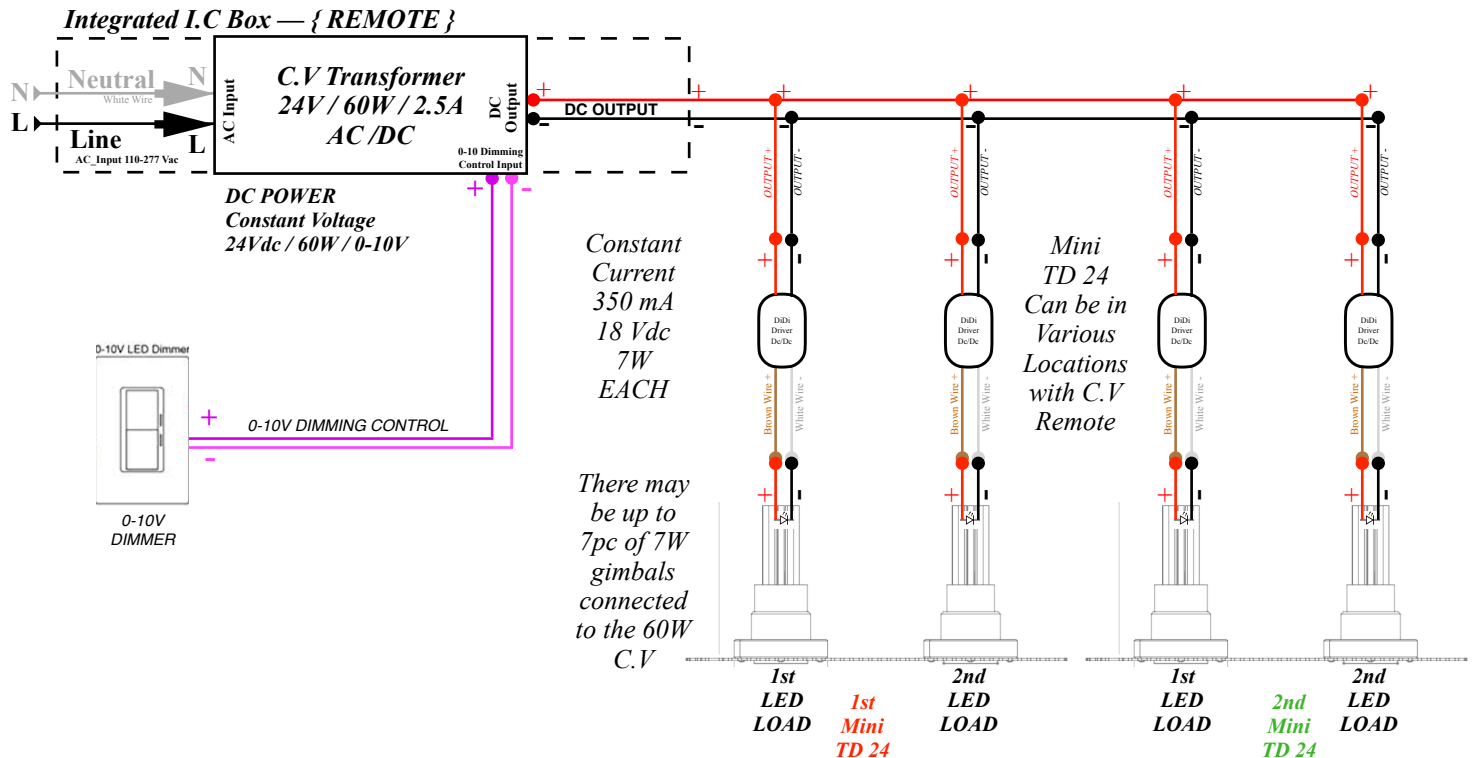


Wiring Diagram I MINI TD 24

C.V [24Vdc / 60W / 2.5A] / 0-10V Dimming ; 2 of C.C 350mA, 18V, 7W, 2*[2*7W], 28W

Input Voltage: 110...277 Vac

Max Connected LOAD: 28W



Note:

- * J-Box's may be Separated or Integrated with the C.V Transformer for all Input & Output Connections *
- ** Constant Voltage 60W has 0-10V Control: Positive is Purple(+) and Negative is Pink(-) **
- *** The C.V will be REMOTE and fixture power will determine the Wire AWG and Distance ***

WARNING:

CONNECTION OF LUMINAIRE TO POWERED DRIVER WILL RESULT IN PERMANENT DAMAGE TO THE LED AND VOIDED PRODUCT WARRANTY.

EACH OF THE LED OUTPUTS ON DMX DRIVER ARE INDIVIDUAL CHANNELS & POLARITY MUST BE FOLLOWED.

Illustration is for example purposes only. Components may vary depending on technical requirements of the light.

101 North Garden Avenue • Clearwater, Florida 33755 USA • P 727.213.0410 • Support@ZaniboniLighting.com

The manufacturer reserves the right to change or modify the design, dimensions and specifications at any time without notice. The manufacturer accepts no liability for consequential damage which is occasioned to the user based on the data provided.

For more information contact your representative or go to ZaniboniLighting.com.