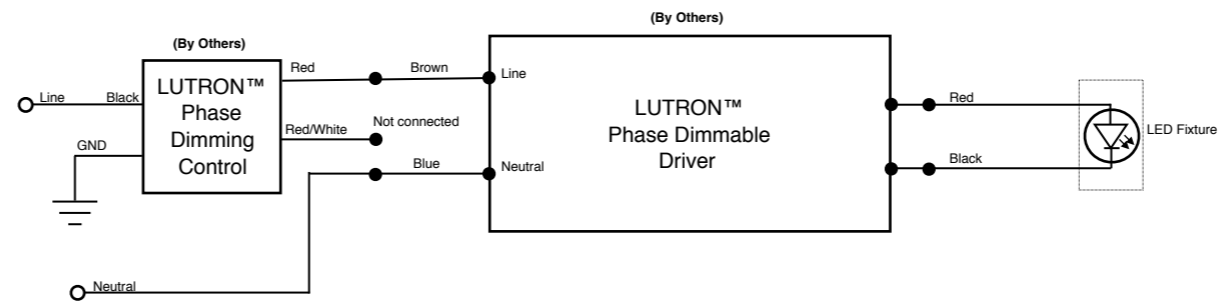

LUTRON PHASE DIMMING DRIVER WIRING DIAGRAM
Product Code T: LUTRON Phase Dimmable on the product
spec sheet



DRIVER AND SWITCH ILLUSTRATED IS FOR EXAMPLE PURPOSES ONLY - MANUFACTURERS VARY DEPENDING ON TECHNICAL REQUIREMENTS OF THE LIGHT