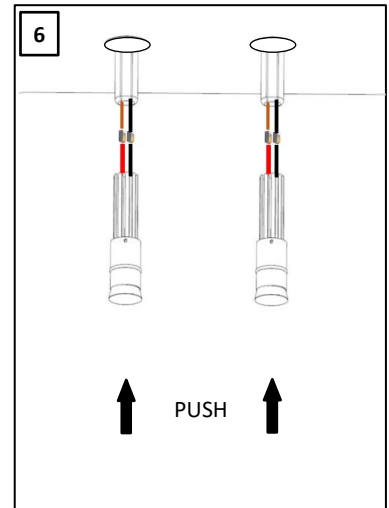
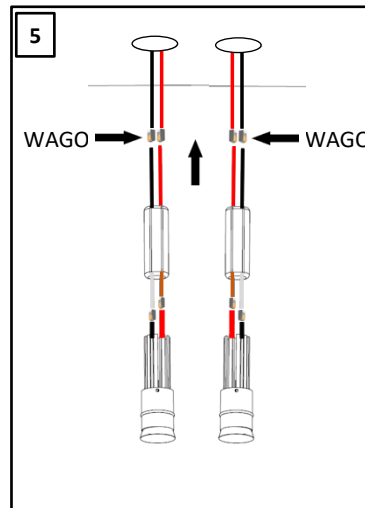
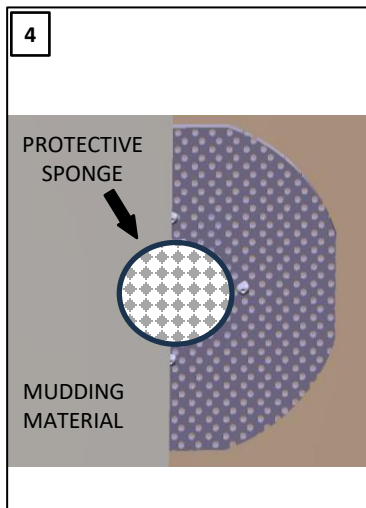
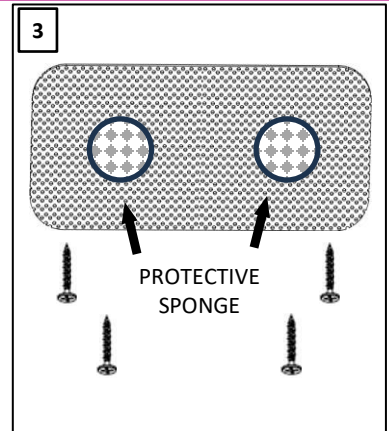
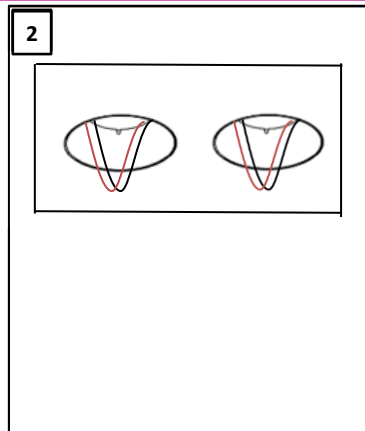
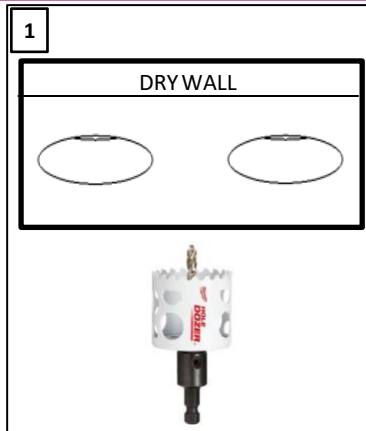


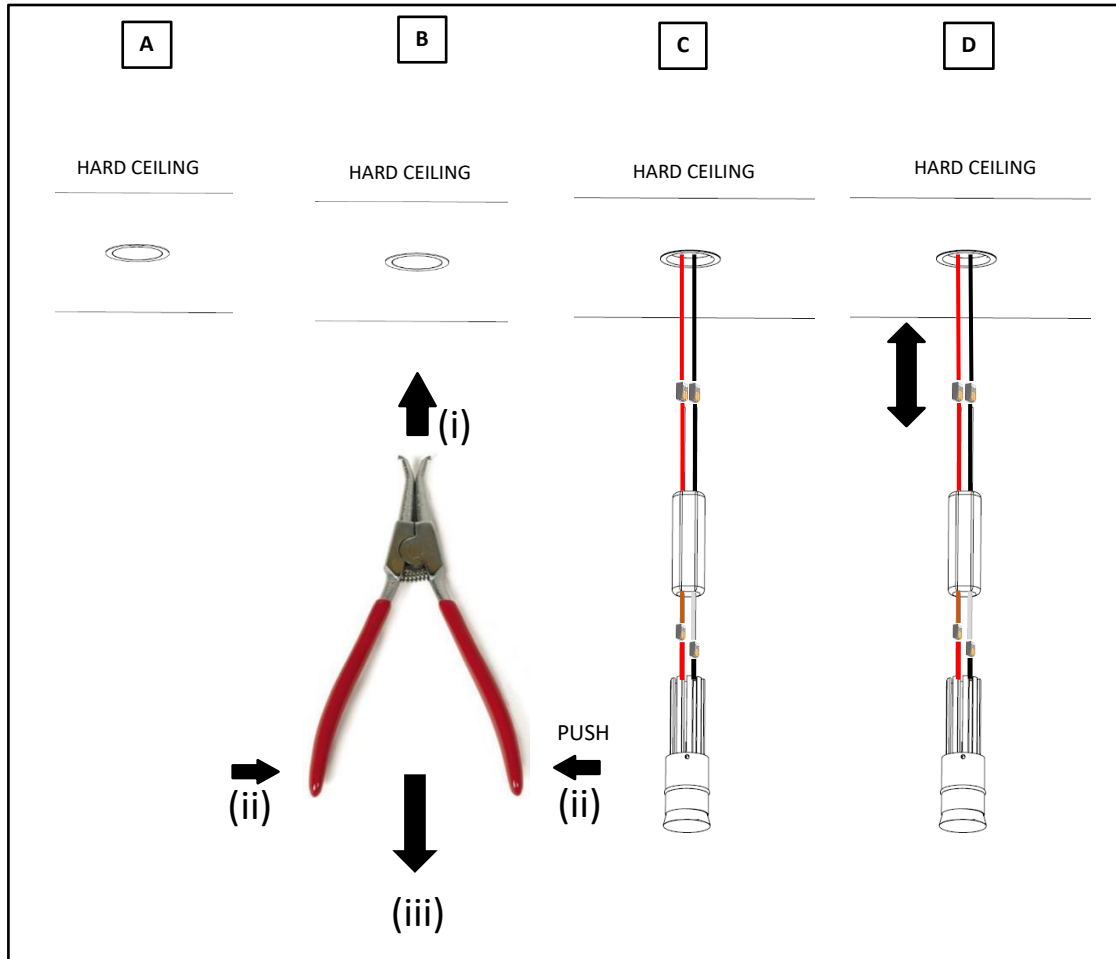


**WARNING - RISK OF FIRE AND ELECTRICAL SHOCK. FIXTURE MUST BE INSTALLED BY A QUALIFIED ELECTRICIAN ONLY. FIXTURE IS INTENDED FOR INSTALLATION IN ACCORDANCE WITH THE NATIONAL ELECTRICAL CODE, LOCAL AND FEDERAL SPECIFICATIONS. DISCONNECT POWER AT ELECTRICAL PANEL BEFORE SERVICING. CONNECTION OF LUMINAIRE TO POWERED DRIVER WILL RESULT IN PERMANENT DAMAGE TO THE LED AND VOIDED PRODUCT WARRANTY. RETAIN THESE INSTRUCTIONS FOR MAINTENANCE REFERENCE.**

## Non-IC Installation Instruction

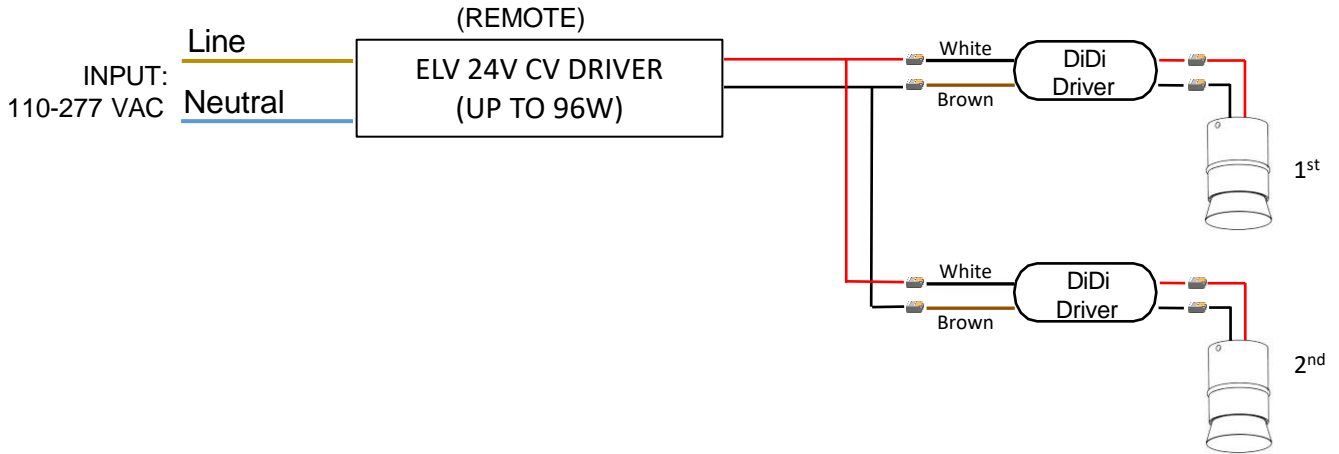


1. CUT A HOLE IN THE DRYWALL USING THE CUT-OUT OF TWO 2" (51 mm) DIAMETER HOLES 2 INCHES APART (CENTER TO CENTER DISTANCE). (FIGURE 1)
2. PULL THE LOW VOLTAGE LINES FROM THE REMOTE DRIVERS THROUGH THE CUTOUT. (FIGURE 2)
3. PUT THE PERFORATED TRIM INSIDE THE HOLE. INSTALL MUD RING USING FIBERGLASS TAPE ON THE EDGES OF THE PERFORATED SHEET. SECURE THE MUD RING WITH 4 NAIL IN THE HOLES OF PERFORATED SHEET. (FIGURE 3)
4. COVER THE TRIM OPENING AND APPLY MUDDING MATERIAL OVER THE PERFORATED SHEET AND AROUND THE TRIM COLLAR AND FINISH THE CEILING ( FIGURE 4)
5. CONNECT THE LOW VOLTAGE POWER SUPPLY TO THE FIXTURE SPACE USING THE WAGO CONNECTOR. (FIGURE 5)
6. MAKE SURE BOTH TRIM AND CORE ARE CLEAN FROM DUST AND PAINT RESIDUE. TO SECURE THE FIXTURE, GENTLY PUSH AND ROTATE SO IT SMOOTHLY INSERT INTO THE TRIM. (FIGURE 6)

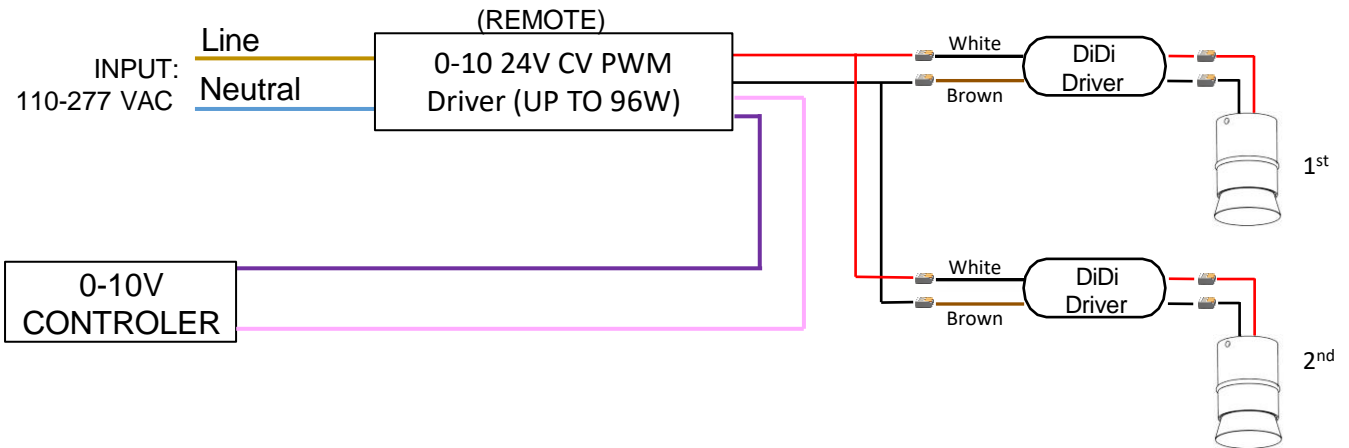


1. SWITCH OFF THE POWER SUPPLY BEFORE MAKING ANY CHANGES IN THE FIXTURE (FIGURE A)
2. USE REVERSE PLIERS TO GET A GRIP OF THE MINI CORE SPLAY. TWIST THE CORE GENTLY AND PULL SO IT UNLATCHES FROM THE FLANGE. (FIGURE B)
3. PULL OUT THE MINI CORE FROM THE TRIM. ( FIGURE C )
4. DISCONNECT THE CONNECTORS AND CARRY OUT THE MAINTENANCE. (FIGURE D)
5. CONNECT THE WIRES BACK. PUSH THE FIXTURE IN THE TRIM, MAKE SURE ALL THE WIRES ARE UP IN THE CEILING.
6. TO SECURE THE FIXTURE MAKE SURE TO PUSH AND ROTATE SO IT LATCHES IN THE TRIM.

## ELV, Non-Dim, Bluetooth Driver



## 0-10V Driver



\*The manufacturer reserves the right to change or modify the design, dimensions and specifications at anytime without notice. The manufacturer accepts no liability for consequential damage which is occasioned to the user base on the data provided.