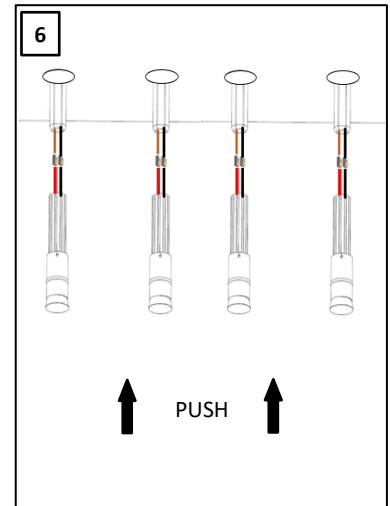
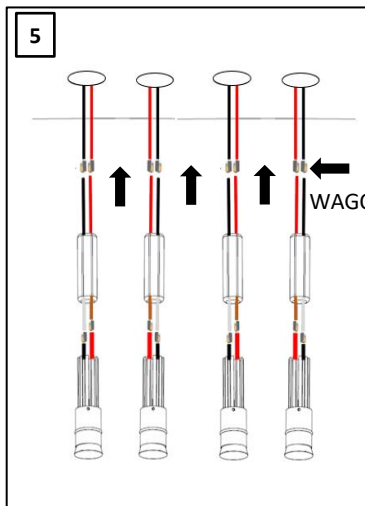
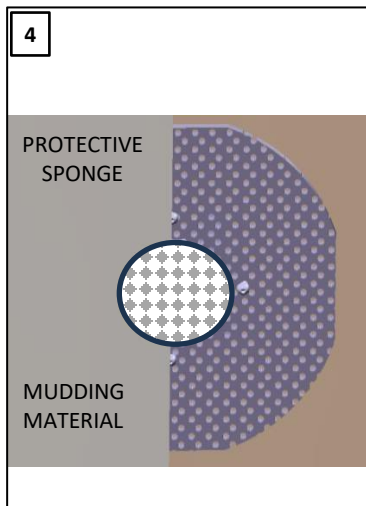
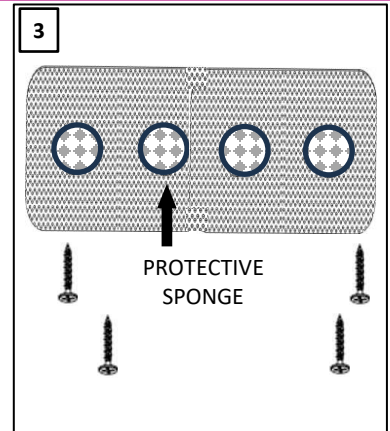
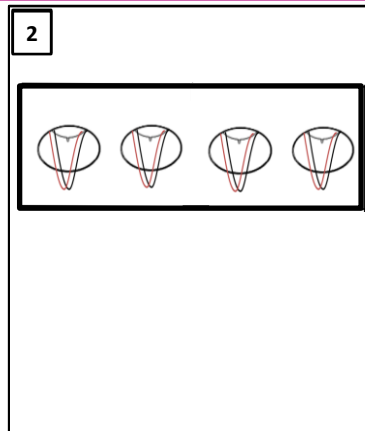
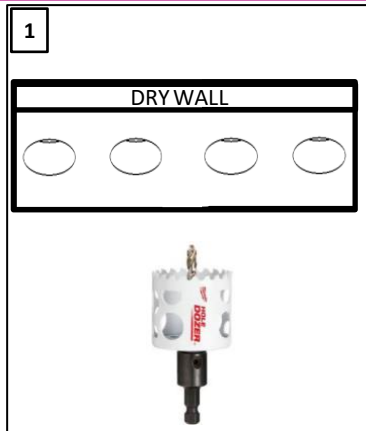
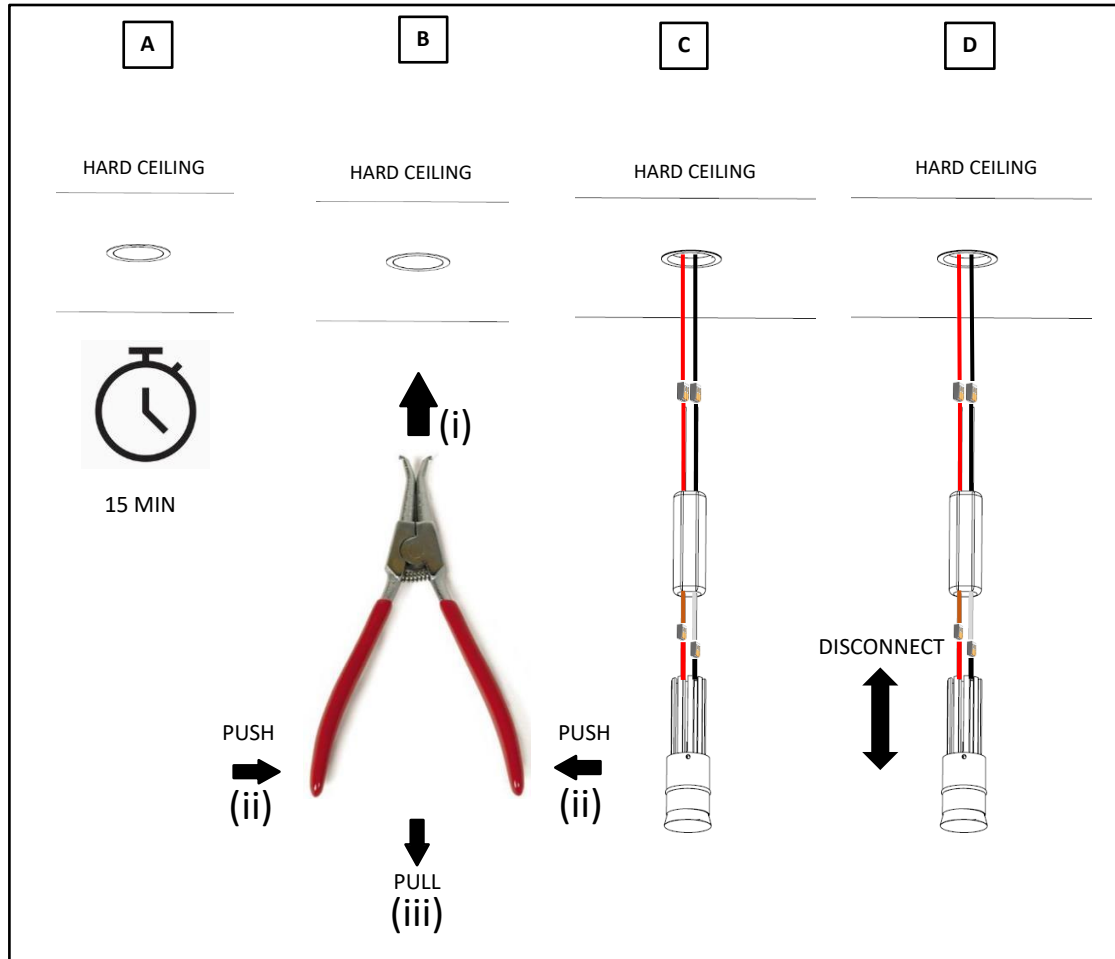


WARNING - RISK OF FIRE AND ELECTRICAL SHOCK. FIXTURE MUST BE INSTALLED BY A QUALIFIED ELECTRICIAN ONLY. FIXTURE IS INTENDED FOR INSTALLATION IN ACCORDANCE WITH THE NATIONAL ELECTRICAL CODE, LOCAL AND FEDERAL SPECIFICATIONS. DISCONNECT POWER AT ELECTRICAL PANEL BEFORE SERVICING. CONNECTION OF LUMINAIRE TO POWERED DRIVER WILL RESULT IN PERMANENT DAMAGE TO THE LED AND VOIDED PRODUCT WARRANTY. RETAIN THESE INSTRUCTIONS FOR MAINTENANCE REFERENCE.

Non-IC Installation Instruction



- CUT A HOLE IN THE WALL:** USE THE PROVIDED GUIDE TO CUT A HOLE IN THE WALL USING THE CUT-OUT OF 14.51" X 2.30" (368.56mm X 58.42mm). **FIGURE 1.**
- PULL WIRES THROUGH HOLE:** GENTLY PULL THE WIRES FROM THE REMOTE DRIVER NEXT TO THE HOLE SO YOU CAN EASILY FIND THEM LATER. **FIGURE 2.**
- PUT THE PERFORATED TRIM INSIDE THE HOLE:** DON'T REMOVE THE PROTECTIVE SPONGE. USE FOUR NAILS TO SECURE THE PERFORATED TRIM IN THE CEILING. PUT FIBERGLASS TAPE AROUND THE EDGES OF THE PERFORATED TRIM. **FIGURE 3.**
- APPLY THE MUDDING MATERIAL:** COVER THE PERFORATED TRIM AROUND THE PROTECTIVE SPONGE AND FINISH THE WALL. **FIGURE 4.**
- CONNECT THE LOW VOLTAGE POWER SUPPLY:** REMOVE THE PROTECTIVE SPONGE FROM THE TRIM WITH A PLIER. CLEAN INSIDE THE TRIM. USE WIRE CONNECTORS TO CONNECT THE MINI TD TO THE LOW VOLTAGE POWER SUPPLY. **FIGURE 5.**
- INSTALL THE FIXTURE:** MAKE SURE ALSO THE FIXTURE IS CLEAN. GENTLY PUSH THE FIXTURE INTO THE TRIM. ALSO, MAKE SURE THE WIRES AND THE POWER SOURCE ARE HIDDEN IN THE CEILING. **FIGURE 6.**



1. **TURN OFF POWER BEFORE MAINTENANCE:** ALWAYS SWITCH OFF THE POWER SUPPLY BEFORE DOING ANYTHING WITH THE LIGHT. IF THE LIGHT WAS ON, WAIT FOR 15 MINUTES TO LET IT COOL DOWN. **FIGURE A.**

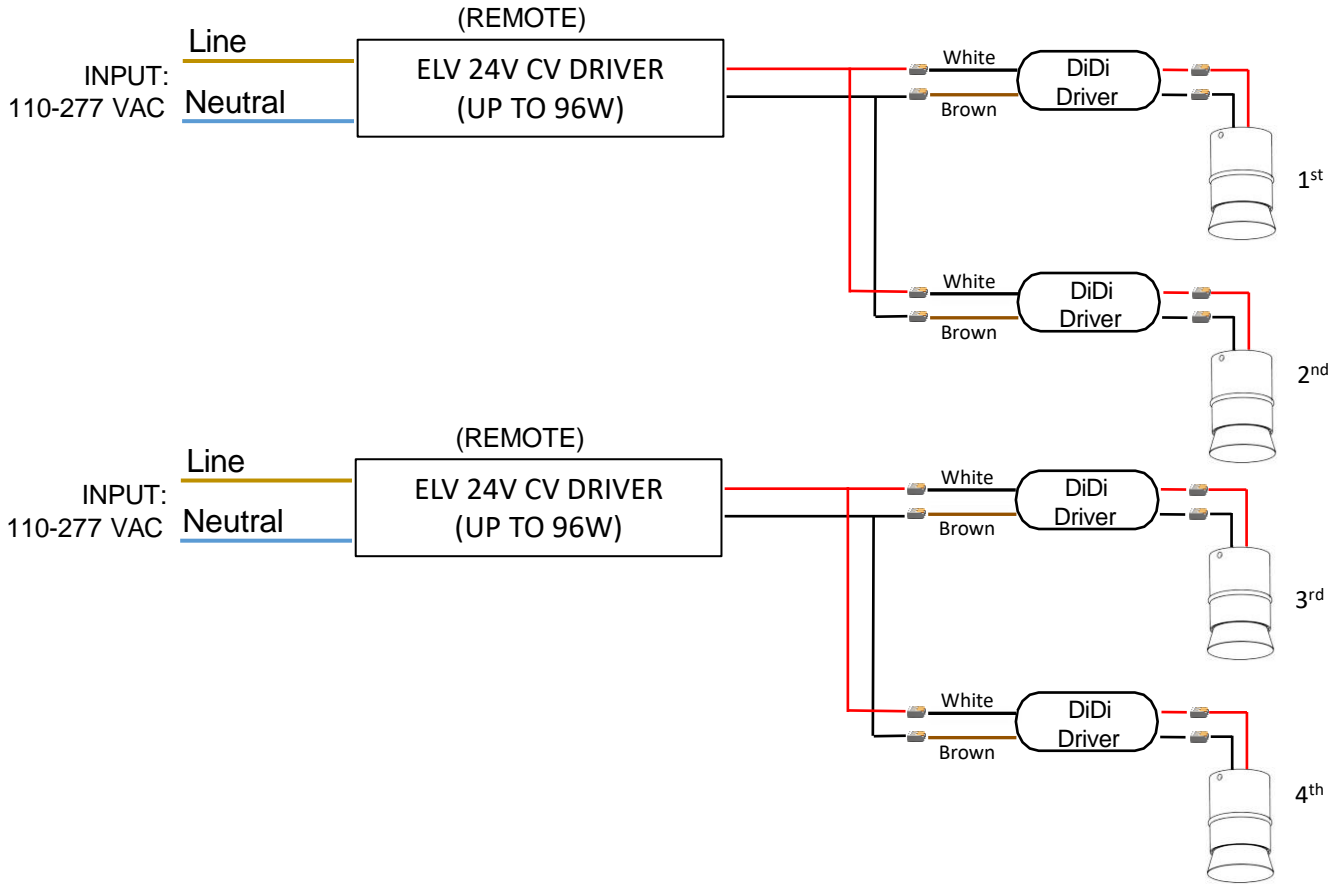
2. **USE REVERSE PLIERS TO REMOVE THE FIXTURE:** USE THE REVERSE PLIERS TO HOLD ONTO THE MINI CORE'S AND GENTLY PULL THE CORE OUT SO IT RELEASES FROM THE FLANGE. **FIGURE B.**

3. **TAKE OUT THE MINI CORE:** REMOVE THE MINI CORE FROM THE TRIM. **FIGURE C.**

4. **DISCONNECT CONNECTORS FOR MAINTENANCE:** UNPLUG THE CONNECTORS AND PERFORM THE NEEDED MAINTENANCE. **FIGURE D.**

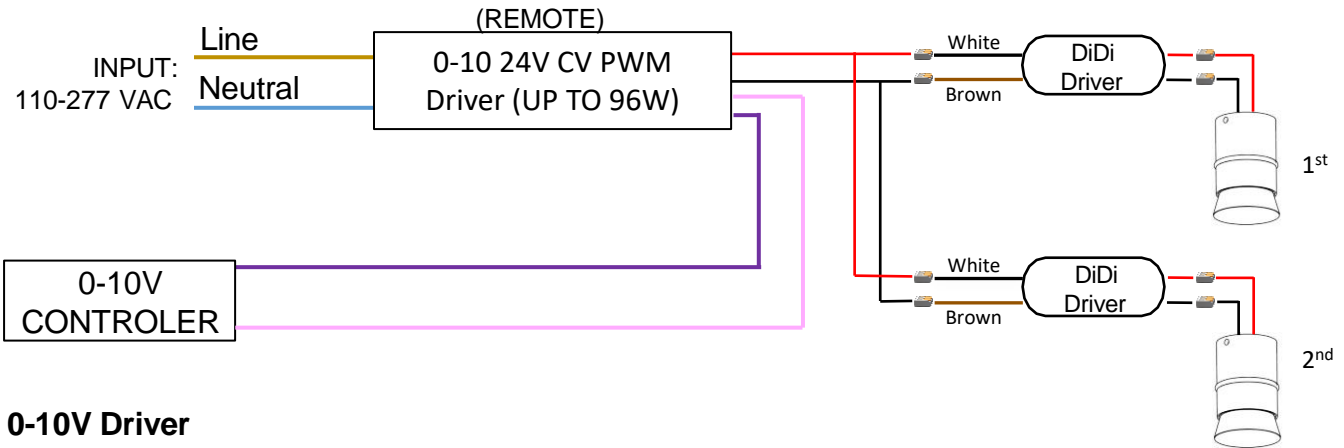
5. **RECONNECT WIRES AND PUT FIXTURE BACK:** CONNECT THE WIRES AGAIN. CLEAN THE MINI CORE AND TRIM IF NEEDED. PUSH THE FIXTURE BACK INTO THE TRIM, MAKING SURE ALL THE WIRES AND THE DRIVER ARE HIDDEN IN THE CEILING ARE TUCKED UP INSIDE THE CEILING.

ELV, Non-Dim, Bluetooth Driver

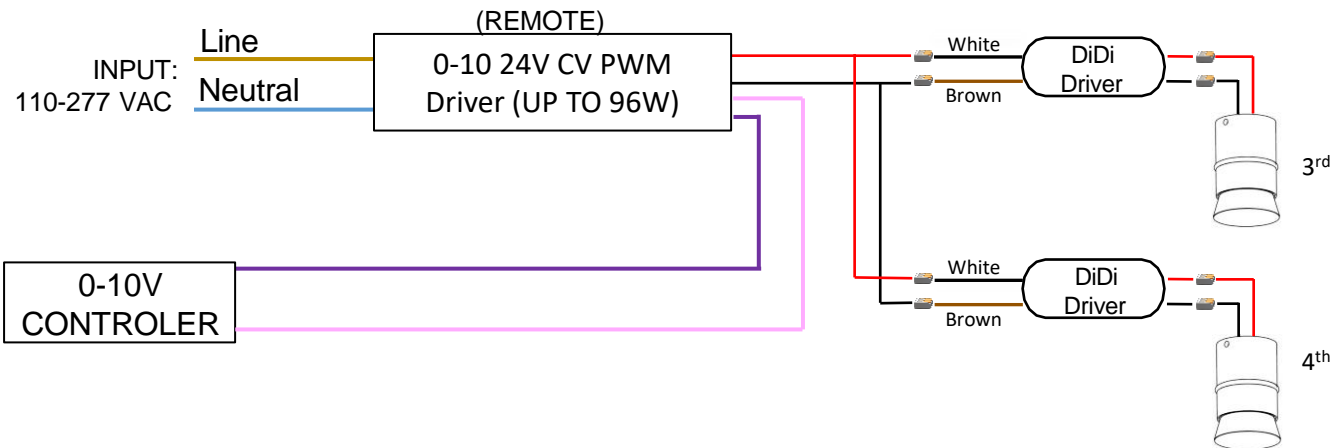


*The manufacturer reserves the right to change or modify the design, dimensions and specifications at anytime without notice. The manufacturer accepts no liability for consequential damage which is occasioned to the user base on the data provided.

0-10V Driver



0-10V Driver



*The manufacturer reserves the right to change or modify the design, dimensions and specifications at anytime without notice. The manufacturer accepts no liability for consequential damage which is occasioned to the user base on the data provided.