
MINI TX INSTALLATION INSTRUCTION

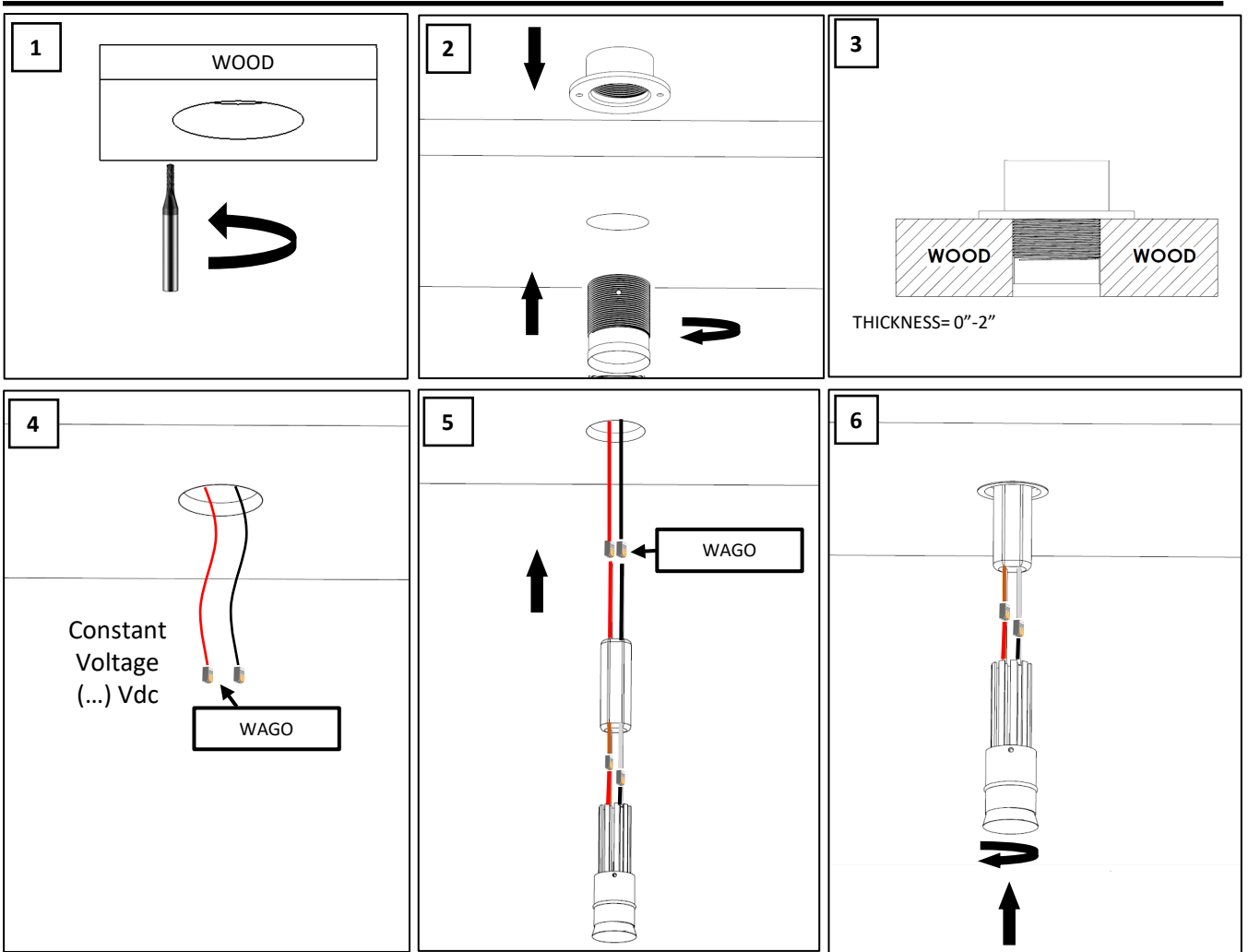


WARNING - RISK OF FIRE AND ELECTRICAL SHOCK. FIXTURE MUST BE INSTALLED BY A QUALIFIED ELECTRICIAN ONLY. FIXTURE IS INTENDED FOR INSTALLATION IN ACCORDANCE WITH THE NATIONAL ELECTRICAL CODE, LOCAL AND FEDERAL SPECIFICATIONS. DISCONNECT POWER AT ELECTRICAL PANEL BEFORE SERVICING. CONNECTION OF LUMINAIRE TO POWERED DRIVER WILL RESULT IN PERMANENT DAMAGE TO THE LED AND VOIDED PRODUCT WARRANTY. RETAIN THESE INSTRUCTIONS FOR MAINTENANCE REFERENCE.

CUTOUT TABLE

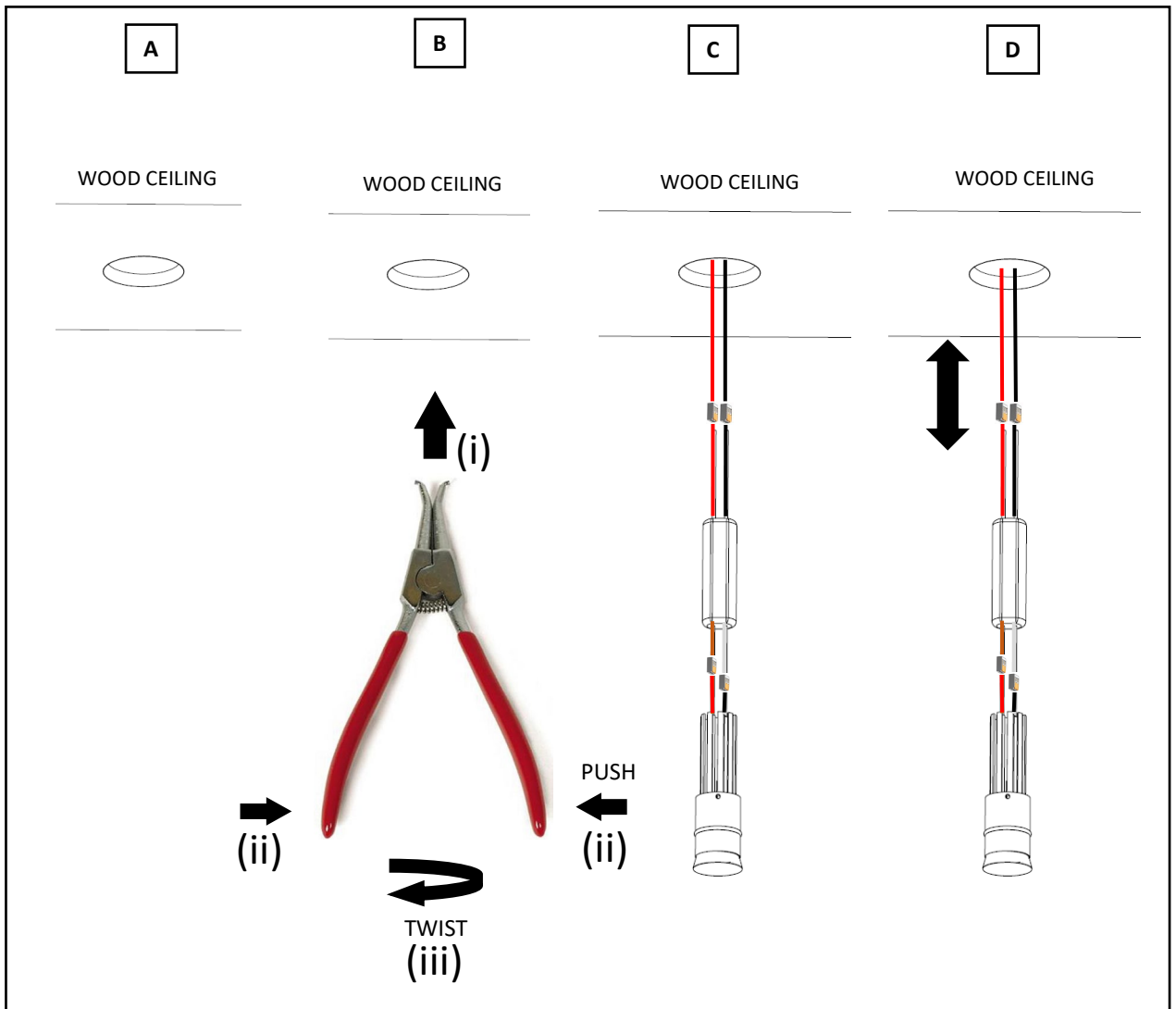
FIXTURE	CUTOUT
MINI TX	1.125" (28.575 mm) DIAMETER

MINI RX INSTALLATION



1. CUT A HOLE IN THE WOODEN CEILING USING THE CUT-OUT TABLE AS A REFERENCE. CNC MILLING CUT IS STRONGLY ADVISED. (FIGURE 1)
2. INSERT FLANGE FROM THE TOP OF THE CEILING. SECURE THE FLANGE BY SCREWING WITH 2X WOOD SCREW (NOT PROVIDED BY ZANIBONI LIGHTING) AND THEN SCREW THE RING INTO THE FLANGE (FIGURE 2)
3. THE FLANGE AND RING SHOULD BE ALLIGNED AS SHOIWN IN (FIGURE 3).
4. PULL OUT THE LOW VOLTAGE LINES THROUGH THE FLANGE. (FIGURE 4).
5. CONNECT THE LOW VOLTAGE WIRES TO THE MINI RX USING THE PROVIDED WAGO CONNECTORS. (FIGURE 5)
6. GENTLY PUSH AND TWIST THE MINI CORE INSIDE THE FLANGE UNTIL THE SPLAY IS FLUSHED WITH THE CEILING. MAKE SURE ALL THE WIRES AND THE DIDI DRIVER ARE PROPER IN THE CEILING. (FIGURE 6)
7. TURN ON THE POWER SUPPLY

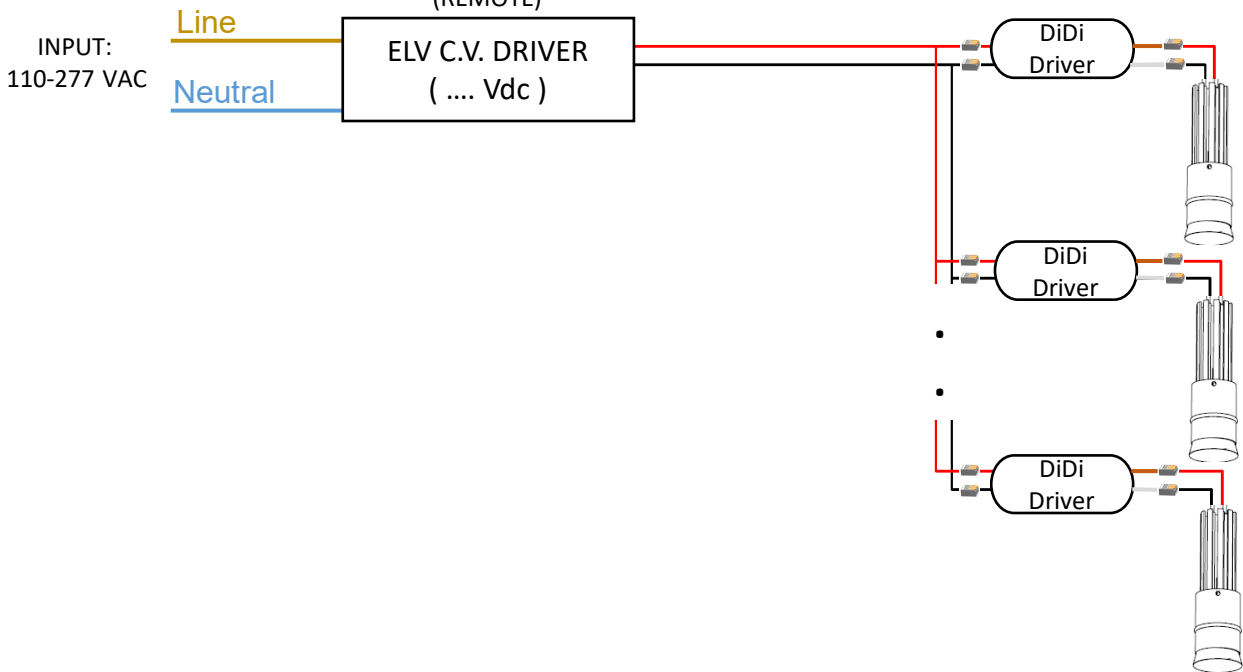
FIXTURE MAINTENANCE



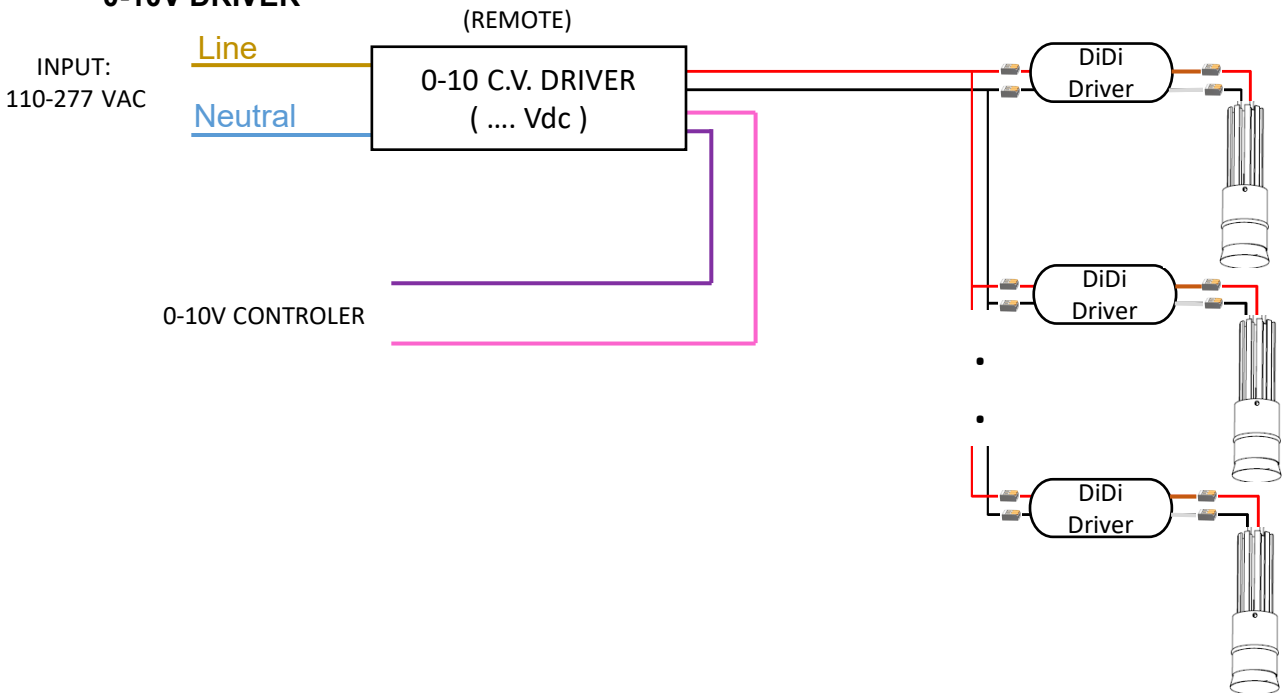
1. SWITCH OFF THE POWER SUPPLY BEFORE MAKING ANY CHANGES IN THE FIXTURE (FIGURE A)
2. USE REVERSE PLIERS TO GET A GRIP OF THE MINI CORE SPLAY. TWIST THE CORE GENTLY AND PULL SO IT UNLATCHES FROM THE FLANGE. (FIGURE B)
3. PULL OUT THE MINI CORE FROM THE TRIM. (FIGURE C)
4. DISCONNECT THE CONNECTORS AND CARRY OUT THE MAINTENANCE. (FIGURE D)
5. CONNECT THE WIRES BACK. PUSH THE FIXTURE IN THE TRIM, MAKE SURE ALL THE WIRES ARE UP IN THE CEILING.
6. TO SECURE THE FIXTURE MAKE SURE TO PUSH AND ROTATE SO IT LATCHES IN THE TRIM.

WIRING DIAGRAM – LOW VOLTAGE – C.V.

- **ELV, NON-DIM, BLUETOOTH DRIVER**
(REMOTE)



- **0-10V DRIVER**

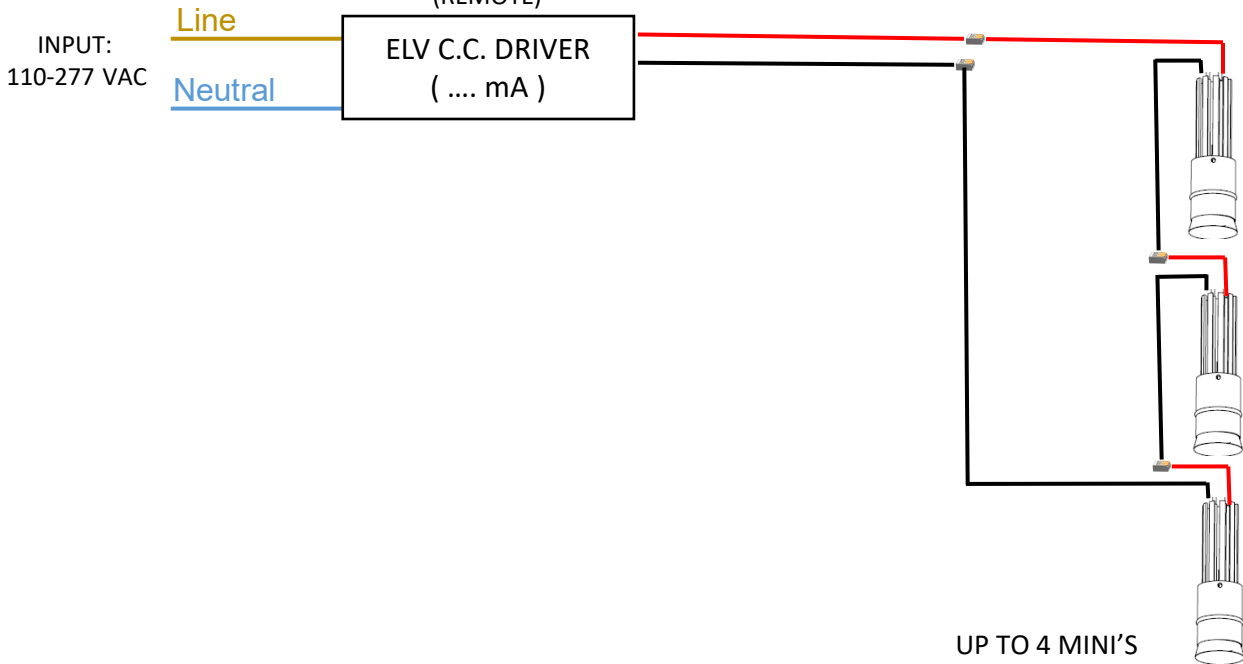


**The manufacturer reserves the right to change or modify the design, dimensions and specifications at anytime without notice. The manufacturer accepts no liability for consequential damage which is occasioned to the user base on the data provided.*

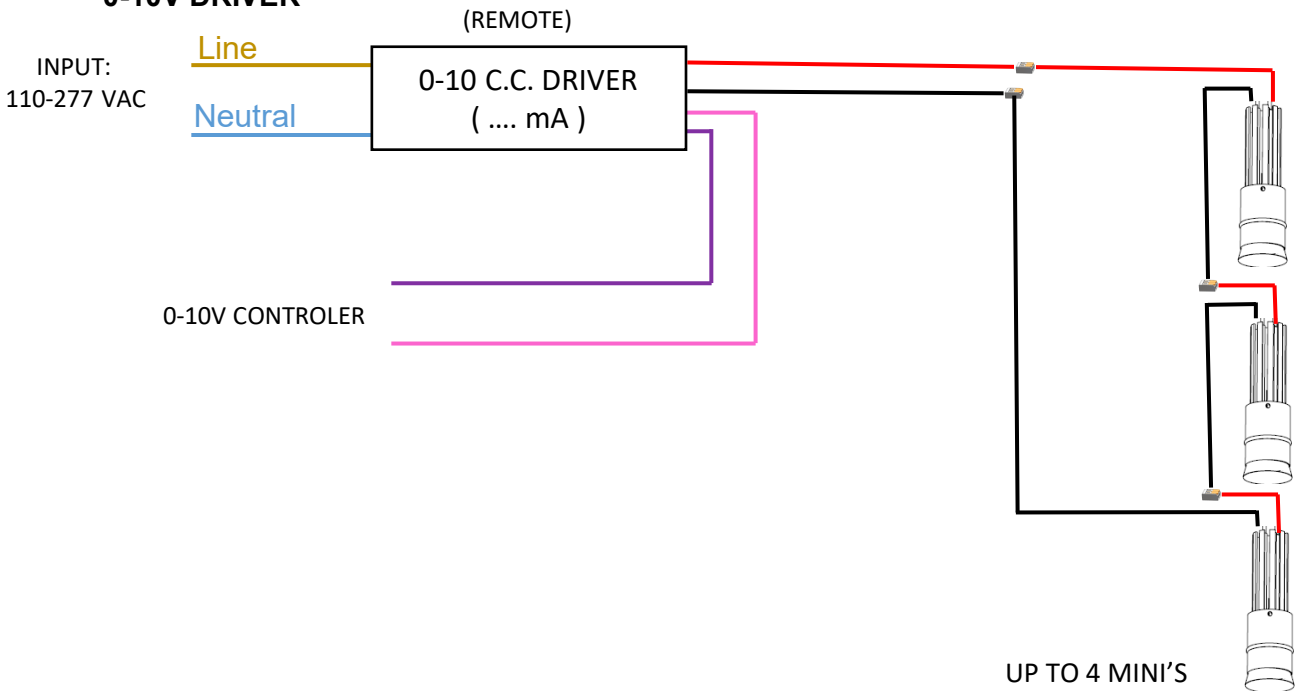
Zaniboni Lighting, 101 N Garden, Ste 230 • Clearwater, FL 33755 - Ph +17272130410 • Fx +17276839720 • www.zanibonilighting.com
Zaniboni Lighting shall not be held liable for any damages arising out of the use or misuse of its products nor any damages arising out of the alteration or modification of the instructed installation of its products.

WIRING DIAGRAM – LOW VOLTAGE – C.C.

- **ELV, NON-DIM, BLUETOOTH DRIVER (REMOTE)**



- **0-10V DRIVER**



**The manufacturer reserves the right to change or modify the design, dimensions and specifications at anytime without notice. The manufacturer accepts no liability for consequential damage which is occasioned to the user base on the data provided.*